

CM-7436 Series: 4.5" Wide Models CM-7536 Series: 6" Wide Models Push Plate Column™ Switches



Camden CM-74 & CM-75 Series Column™ switches offer greater user convenience and lower installation costs by providing a single activation device in place of two high / low switches, as required by a growing number of building codes across North America.

Column™ switches feature solid aluminum or stainless steel construction and are available in a range of finishes. Also available is the option for Kinetic by Camden™ no-battery wireless or Lazerpoint™ battery powered wireless transmitters.

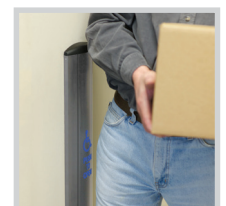
The VR series Column™ switches with hands-free sensors use active infra-red technology to eliminate the spread of germs.

Standard Features

- 6" wide CM-7536 switches and 4.5" wide CM-7436 switches available with a large selection of graphic options
- Low profile contoured design with easy activation from any angle
- Adjustable leveling screws for easy installation on uneven walls
- Exceeds state and provincial building code requirements
- Available in clear, bronze or blue anodized finishes, as well as stainless steel

CM-7436VR / CM-7536VR Features

- IR sensor provides stable and reliable operation
- Red/green light ring with switch or remote activation
- Adjustable sensor range 2" to 8" (5 cm to 20 cm)
- Adjustable sensor time delay (0.5 sec. to 20 sec.)
- Weather/water resistant sensor, IP65 rated



SPECIFICATIONS

VOLTAGE: **CM-7436 / 7536:** N/A
CM-7436VR / 7536VR: 12-24 VDC +/- 10%

DIMENSIONS: **CM-7436:** 4-1/2"W x 37-1/2"H x 1-5/8"D (114mm x 953mm x 40mm)
CM-7436VR: 4-1/2"W x 37-1/2"H x 1-3/4"D (114mm x 953mm x 44mm)
CM-7536: 5-7/8"W x 37-1/2"H x 1-1/2"D (150mm x 953mm x 38mm)
CM-7536VR: 5-7/8"W x 37-1/2"H x 1-3/4"D (150mm x 953mm x 44mm)

CONTACT TYPE: **CM-7436 / 7536:** SPDT Momentary, Form 'C'
CM-7436VR / 7536VR: Common / N.O. / N.C.
*Optional DPDT Switch. DPDT switches not available.
 Use Camden CX-IRB relay if required.*

CONTACT RATING: **CM-7436 / 7536:** 15 Amps @ 30 VDC
CM-7436VR / 7536VR: 1 Amp @ 30 VDC

MODELS

74 SERIES COLUMN™ SWITCHES - 4" WIDE ACTIVATION

CM-7436	36" Column™ Push Plate Switch, Anodized Aluminum, Option for Bronze Finish
CM-7436VR	36" Column™ Push Plate Switch With Hands-Free Sensor, Anodized Aluminum, Option for Bronze Finish

75 SERIES COLUMN™ SWITCHES - 6" WIDE ACTIVATION

CM-7536	36" Tall Column™ Push Plate Switch, Anodized Aluminum, Option for Bronze or Blue Finish
CM-7536SS	36" Tall Column™ Push Plate Switch, Brushed Stainless Steel, US32 / 630
CM-7536VR	36" Tall Column™ Push Plate Switch With Hands-Free Sensor, Anodized Aluminum, Option for Bronze or Blue Finish
CM-7536SSVR	36" Tall Column™ Push Plate Switch With Hands-Free Sensor, Brushed Stainless Steel, US32 / 630

OPTIONAL WIRELESS

-K	Add Suffix 'K' to Model # for (2) Built-In Kinetic By Camden™ No-Battery Wireless Transmitter Switches
-TX	Add Suffix '-Tx' to Model # for (1) CM-TX-9 Lazerpoint™ Wireless Transmitter And Alkaline Battery Pack, Mounted in Switch Cap
CM-RX90V2	Kinetic By Camden™ and Lazerpoint™ Compatible Receiver

9" & 36" PUSH PLATE COLUMN™ SWITCHES



CM-7436/4

CM-7436VR/4

CM-7536/4

CM-7536VR/4

CM-7536SS/4



OPTIONAL ARCHITECTURAL FINISHES

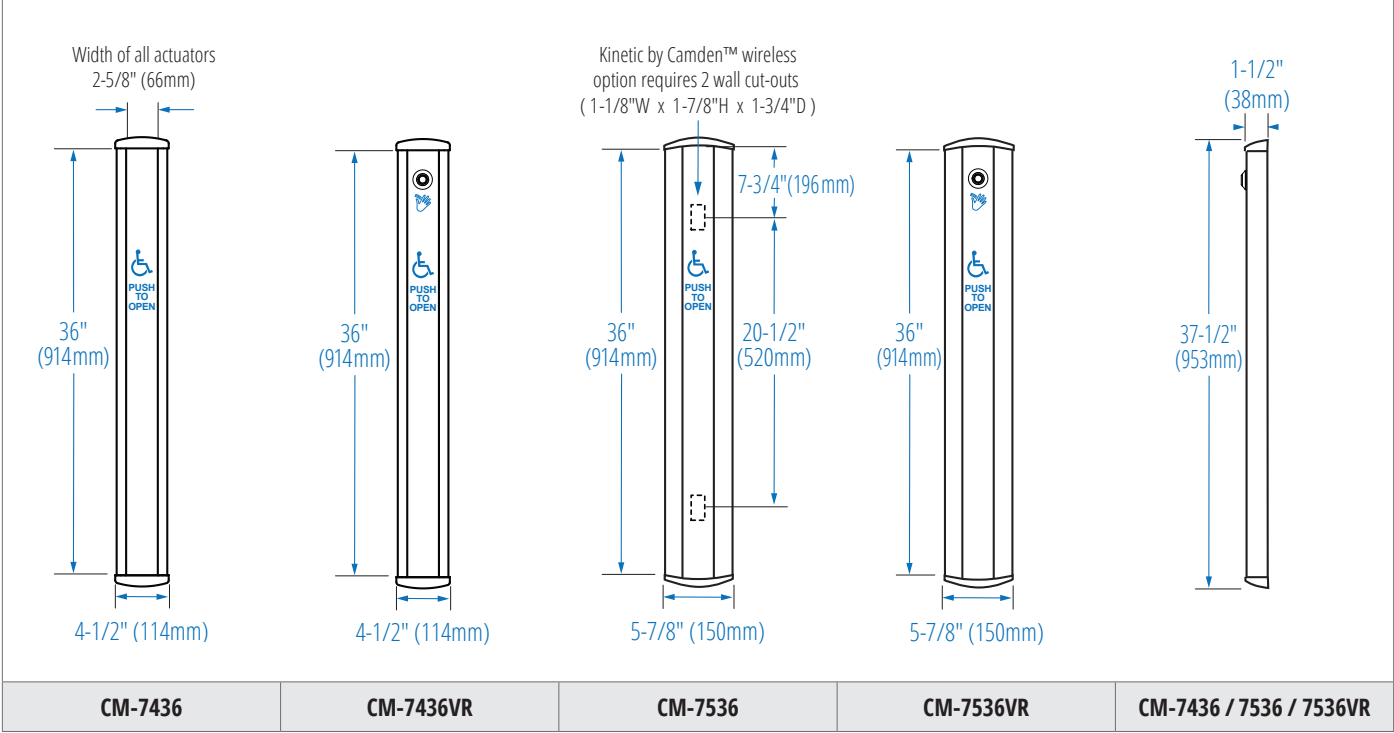
-BRZ	Add Suffix '-BRZ' to Model # for Anodized Dark Bronze Finish (BHMA 710, 313an)
-BLU*	Add Suffix '-BLU' to Model # for Anodized Blue Finish

*Not Available for CM-74 Series.

WATERPROOFING OPTION

-WT	Add '-WT' to Product # for Boot & Water Tight Coating
------------	---

DIMENSIONS

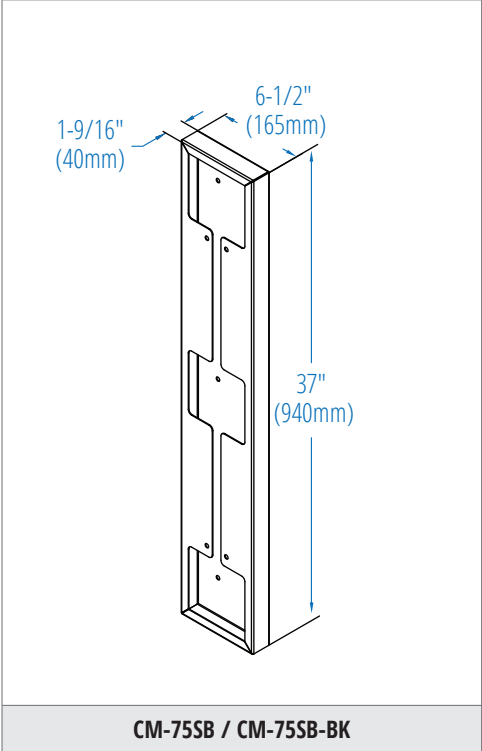


SURFACE MOUNTING BOXES FOR 36" COLUMN™ SWITCHES

CM-75SB	Surface Mount, Power Coated, Electrical Gray, 16-Gauge Steel
CM-75SB-BK	Surface Mount, Power Coated Black, 16-Gauge Steel



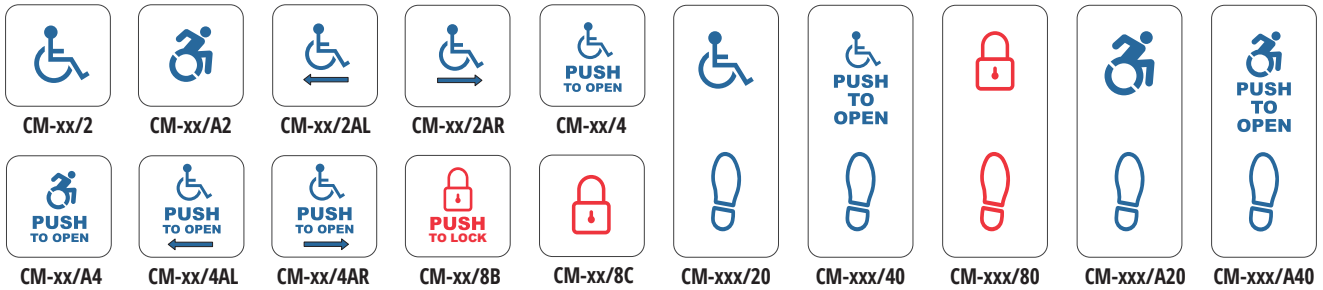
DIMENSIONS



CM-75SB / CM-75SB-BK



GRAPHIC OPTIONS



Add 'F' to graphic option for French language
Graphic option CM-xx/1 for blank base model

GRAPHIC OPTIONS SELECTION CHART

	7536	7536SS	7536VR*	7536SSVR*	7436	7436VR*
/1	✓	✓			✓	
/2	✓	✓	✓	✓	✓	✓
/A2	✓	✓	✓		✓	✓
/2AL	✓				✓	
/2AR	✓				✓	
/4	✓	✓	✓	✓	✓	✓
/A4	✓	✓	✓		✓	
/4AL	✓				✓	
/4AR	✓				✓	✓
/8B	✓	✓	✓	✓	✓	✓
/8C	✓		✓		✓	✓
/20	✓	✓	✓	✓	✓	
/40	✓				✓	
/80	✓				✓	
/A20	✓				✓	
/A40	✓				✓	

*VR Models Include Surewave™ Waving Hand Icon