

Door Activation Devices

CM-74 Series

Column Switch

INSTALLATION INSTRUCTIONS

1. GENERAL DESCRIPTION

Camden CM-74 Series Column™ switches offer a rugged and attractive ADA compliant switch design that is easy to activate from any angle, providing years of trouble-free operation. CM-7436 utilizes 2 fully redundant 15 amp Form-C contact switches, and molded impact and flame resistant end caps which provide easy snap-in installation of the Lazerpoint TX-9 transmitter. The Column switch may be mounted to any flat wall surface. We provide necessary mounting hardware for all options.

CM-7436 uses two switches. It can be hard wired or fitted with either the Kinetic or Lazerpoint wireless transmitters. In the hard-wired layout, they will be wired in parallel. The wireless versions can be paired with Camden Lazerpoint or Kinetic receivers.

2. SPECIFICATIONS

Model	CM-7436
Contact Rating	15 amps @ 30 VDC
Contacts	2 x SPDT momentary. Contact switch (Form C), UL listed.
Construction	Heavy duty extruded aluminum
Finish	Anodized clear, dark bronze or stainless steel
Mounting	4 x #14 wood screws or 1/4"-20 S/S machine screws with anchors
Dimensions	37 1/2" H x 4 1/2" W x 1 5/8" D (overall)

3. INSTALLATION

Code Requirements: If installed according to these instructions the CM-7436 Column switch will meet the requirements of the California Building Code (Section 1117B.6, Date: 2009), and Section 3.8.3.3.17(b) of the Ontario Building Code.

Installation Steps:

1. Take out pre-assembled unit from the box. To mount the switch, it is required to disassemble a few components. Firstly, remove two Phillips screw holding the top End Cap in place. Once both screws are removed, take out the cap. Then, carefully pull out actuation bar and place it aside so as to protect it from any surface damage.
2. Determine/Mark the optimum height and mounting location from the finished floor to mount the column switch. See the illustration below for the dimensions of the column switch.



3. Using a level tool, ensure the base unit is perfectly levelled and mark 4 mounting locations through the adjustable nylon inset screws onto the wall surface (if mounting on drywall, use a pencil, and if mounting on concrete wall, use a narrow sharp object for marking).
4. Drill the wall at the four marked locations and tap in the appropriate wall plugs. We supply both drywall and concrete anchors for the included #14 screws.
5. **If mounting the Column Switch on an aluminium post or framing section**, drill and tap four holes for 1/4"-20 stainless steel machine screws (also provided). Note: Camden CM-745B Series Surface Boxes are available to mount Column™ switches.

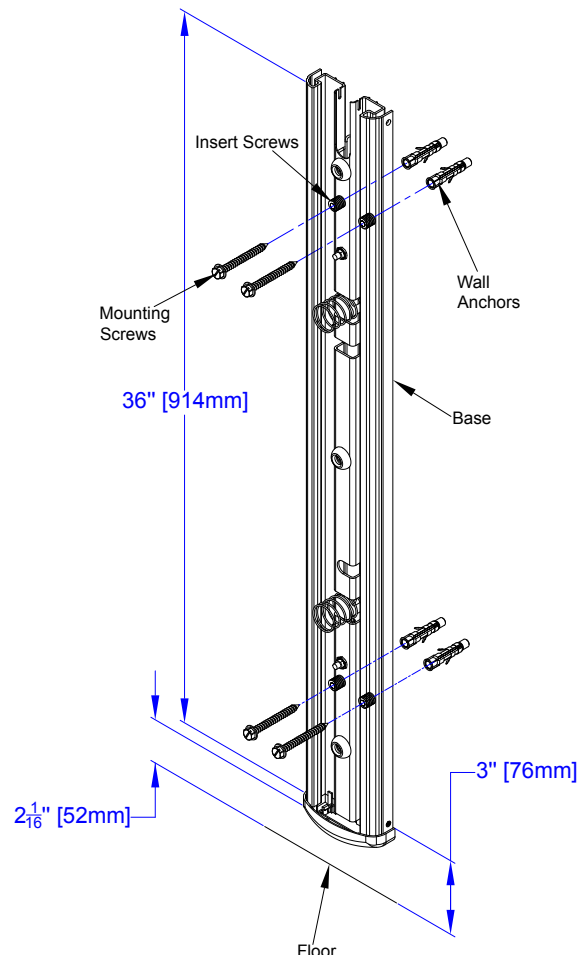


Figure 3.1 Base Unit Mounting

CM-74 Series Column Switch

INSTALLATION INSTRUCTIONS

6. **If hardwiring:** Use the supplied wirenuts to make your wire connections. Push excess wire into the back box and ensure cable is not exposed to the moving parts of the switch, or pinched between the back of the base unit and wall surface.
4 nylon inset screws may be turned in or out to help plump up Column switch and adjust for wall irregularities. Check with a level. When satisfied, install the 4 mounting screws and tighten.
7. **If using Lazerpoint RF:** The cap includes a snap-in compartment for our TX-9 transmitter. Place transmitter in the cap, with the wires hanging down and to the front of the cap. Using the supplied wirenuts, connect the two activating wires to the Column switch lead wires. Slide the battery and the extra wiring into the center (rear) channel provided. Do not slide all of the wire into the channel, so that the cap can hang off to one side while you perform the next step. Using the supplied wirenuts, connect the two activating wires to the Column switch lead wires. Then, slide the battery and the extra wiring into the center (rear) channel provided. Do not slide all of the wire into the channel, so that the cap can hang off to one side while you perform the next step.
8. **If using Kinetic RF:** The CM-7436K uses 2 Kinetic RF switches installed near the top and the bottom of the actuator. When pairing this switch with a Kinetic receiver, you must pair both the top and the bottom switches. The pairing of Camden Kinetic transmitters is detailed in the CM-RX90v2 installation manual.
9. **If using other RF:** Using the supplied wirenuts, make your wire connections to the RF transmitter and tuck the transmitter and excess wire into the back box (or wall cavity). Ensure cable is not exposed to the moving parts of the switch, or pinched between the back of the base unit and the surface of the wall.

10. Reassemble the (center) actuation bar into base unit. This is done by holding the hanger (located at the top center) vertically 'up' – then carefully sliding actuation bar down the length of the base unit, being careful not to bend or break the springs or internal switches. When the bottom edge of the actuation bar reaches the height of the springs, use your free hand to tuck in the spring and switches under the actuation bar as it slides over them. When activation bar is approx 2" from bottom, position hanger so it falls into the slots provided at the top of the base unit. Slide actuation bar down until it rests on the hanger. Actuation bar should now move freely within the base unit. Test the operation of the switch before mounting the cap.
11. When satisfied with the switch operation, place cap back on top, and screw in the two small self-tapping Phillips screws.

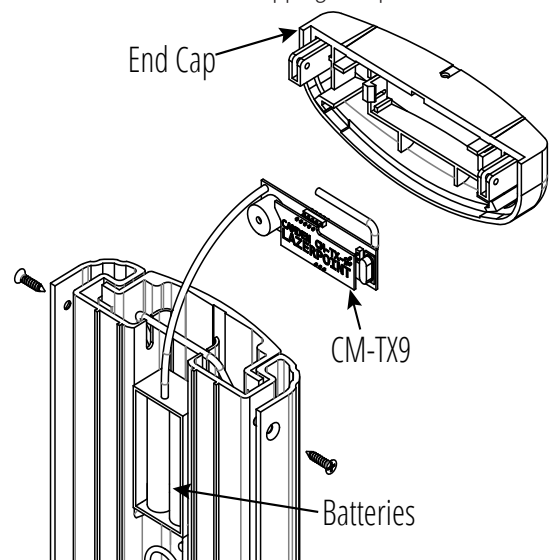


Figure 3.2 Unit Reassembling

4. KINETIC WITH COLUMN SWITCH AND MOUNTING AGAINST WALL

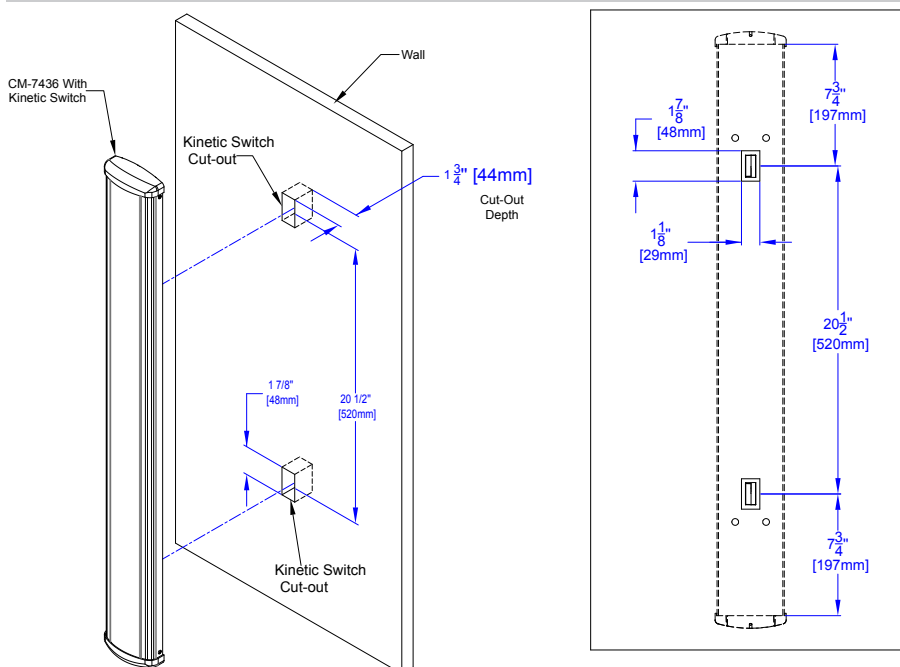


Figure 4.1 CM-7436 Wall Mounting

5. CM-7436 ASSEMBLY

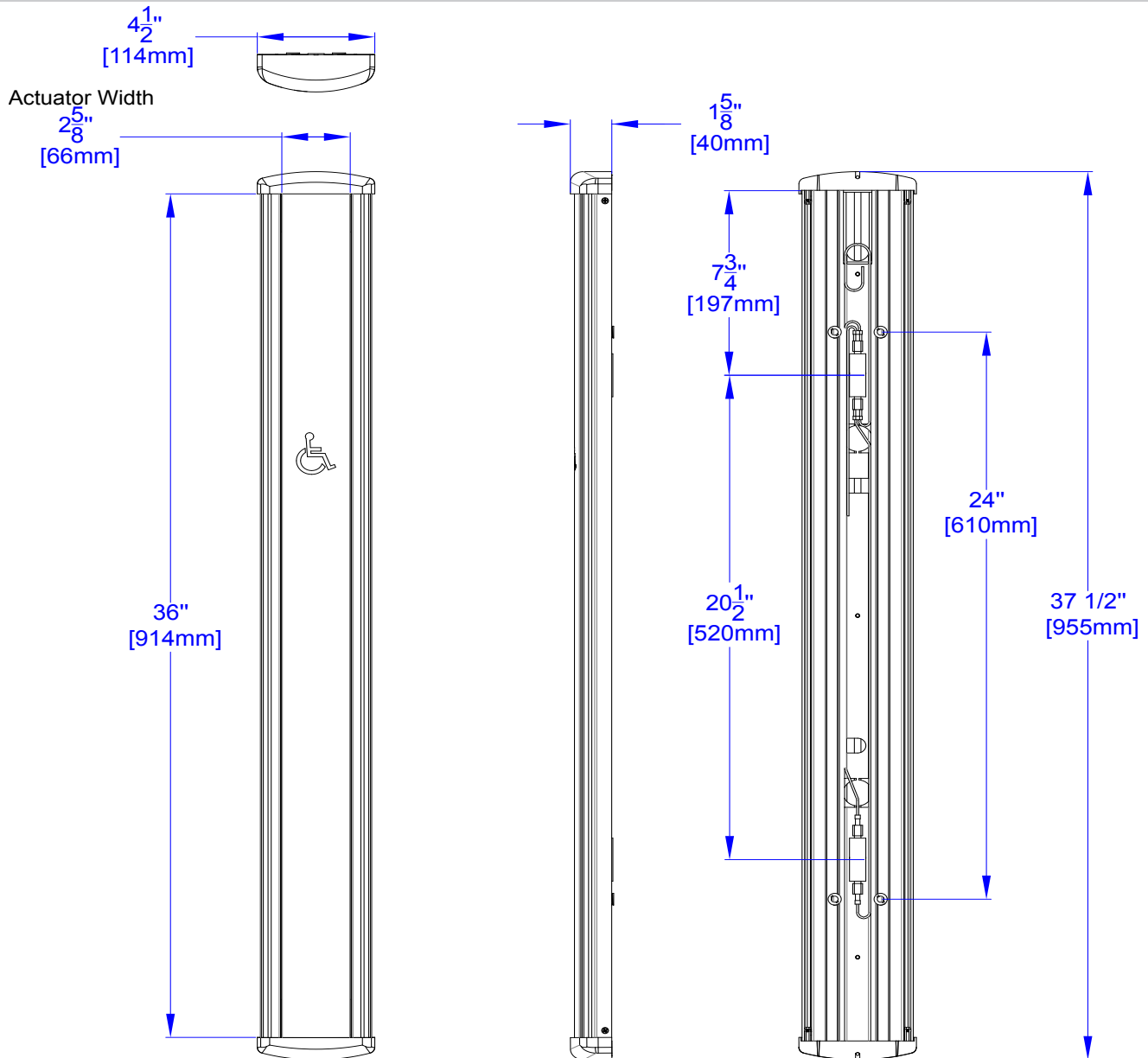


Figure 5.1 CM-7436 Dimensions

6. SYSTEM INSPECTION

After the Installation and operational check of the system:

1. Place any applicable labels on the door (as per ANSI A156.10 or A156.19 guidelines).
2. Instruct the owner on door system operation and how to test it. This should be checked on a daily basis.
3. Strongly recommend to the owner that the complete entry be inspected twice a year as part of the service agreement.

7. WARRANTY

Camden Door Controls guarantees the CM-74 series to be free from manufacturing defects for 3 years from date of sale. If during the first 3 years the Column™ switch fails to perform correctly, it may be returned to our factory where it will be repaired or replaced (at our discretion) without charge. Except as stated herein, Camden extends no warranties expressed or implied regarding function, performance or service.