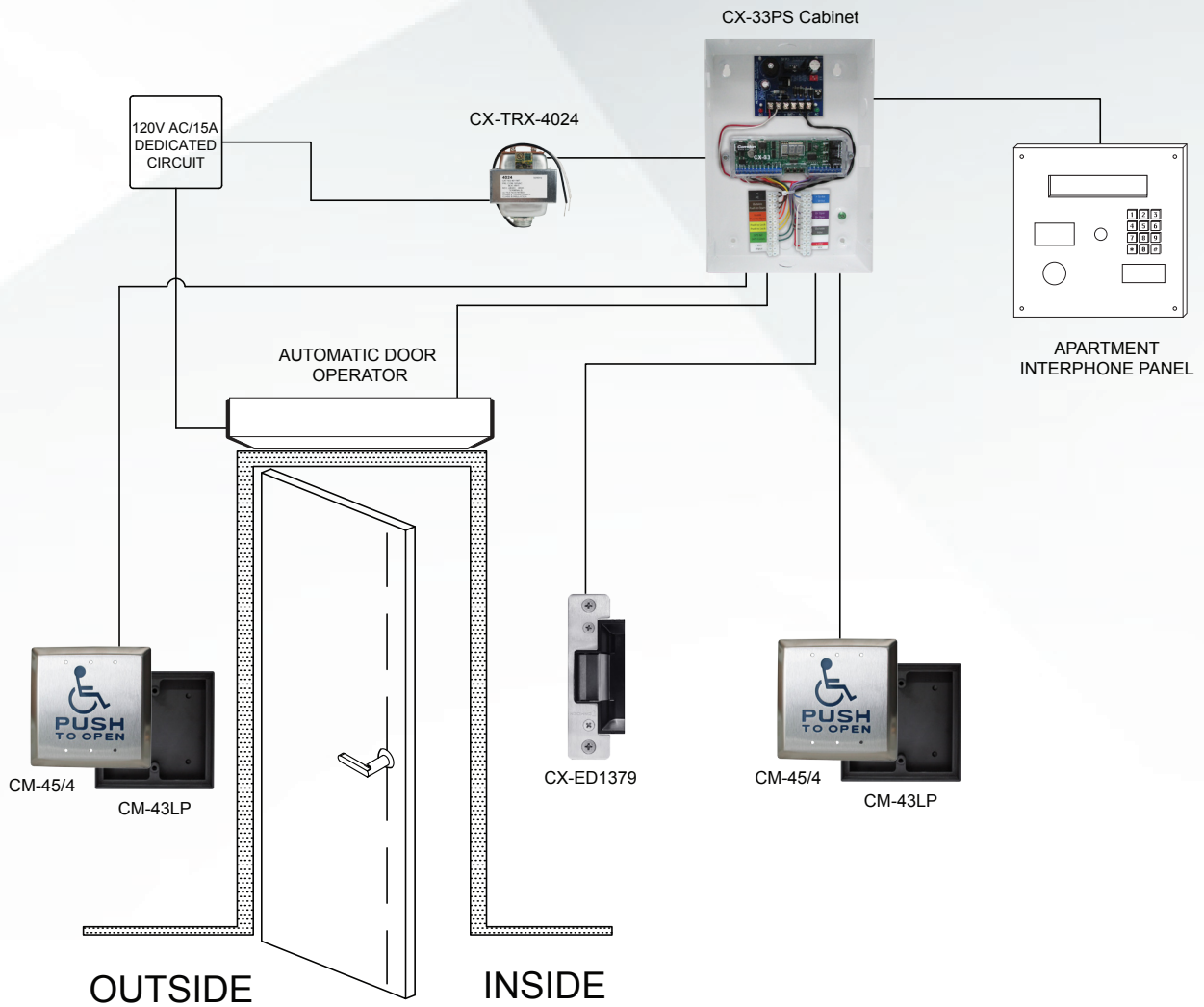




# AUTOMATIC DOORS (ADA)

## Single Door

### Wired, with Door Entry System Interconnect



#### Wired, Secure Door, Telephone Entry

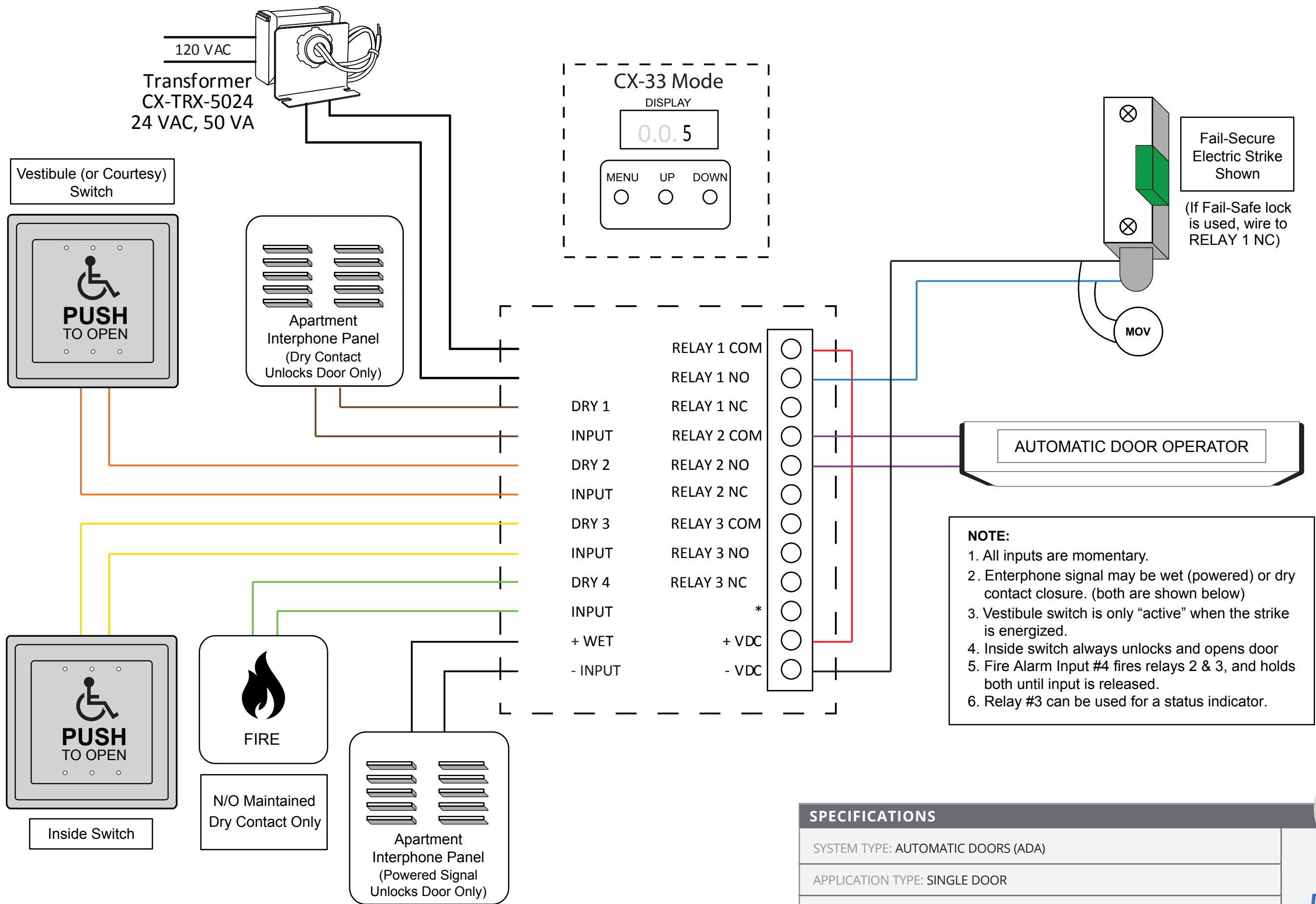
This is an ADA-compliant 'low energy' automatic door operator with a Telephone Entry System. In this application the Entry System input to the CX-33PS controller allow the exterior push plate switches to activate the automatic door operator.

#### FEATURES

- A complete solution with a high-quality switch and relay control
- Compact controller and power supply cabinet, with easy connect terminal block
- 3 year warranty



Opening New Doors to Innovation, Quality, and Support!  
 1.877.226.3369 / 905.366.3377 • www.camdencontrols.com



SPECIFICATIONS	
SYSTEM TYPE:	AUTOMATIC DOORS (ADA)
APPLICATION TYPE:	SINGLE DOOR
PROJECT SCOPE:	WIRED, WITH DOOR ENTRY SYSTEM INTERCONNECT



**Automatic  
Doors (ADA)**



# Automatic Doors (ADA)

## Single Door

### Wired, with Door Entry System Interconnect



CX-33PS

#### Power Supply Cabinet

- 12V or 24V DC
- 15 Operating Modes
- Complies with ANSI A158.19 for Power Operated Pedestrian doors



CX-ED1379

#### 'Universal' Grade 1 ANSI Electric Strike

- 1/2" to 5/8" Latch Projection
- Easy Fit Connectors
- Includes two ANSI Round Faceplates



CM-45/4

#### 4-1/2" Push to Open Push Plate

- Flush or Surface Mount
- ADA Compliant
- Optional Architectural Finishes



CX-TRX-4024

#### 40VA, 24 VAC Transformer

- Standard Mount
- Plug-in Model
- 3 Year Warranty



CM-43LP

#### Mounting Box

- Shallow Depth (1-3/8")
- Flame/Impact Resistant ABS