

Door Activation Devices

CM-2520 Double Gang Vestibule Push Plate Switches

INSTALLATION INSTRUCTIONS

THIS PACKAGE INCLUDES:

- (1) "All Active" Push Plate
- (1) Parts kit



1. GENERAL DESCRIPTION

Camden Door Controls CM-2520 Series combination switches are heavy-duty, ADA-compliant door controls. The 4 1/2" x 4 1/2" rectangular faceplates are stainless steel, and the assembly is designed for easy installation directly on a double gang electric box. The push plate switch is rated 3 AMP @ 30V DC and provides virtually silent operation.

2. SPECIFICATIONS

Voltage	12/24V AC/DC
Contact Type	N/O SPST
Switch Type	Momentary
Contact Rating	3A @ 30V DC
Temp. Range	-40°F to 140°F (-40°C to 60°C)
Std. Finish	CM-2520: US32/C32D
Dimensions	CM-2520 SERIES: 4 1/2" H x 4 1/2" W x 1 5/16"D (114mm x 114mm x 33mm)

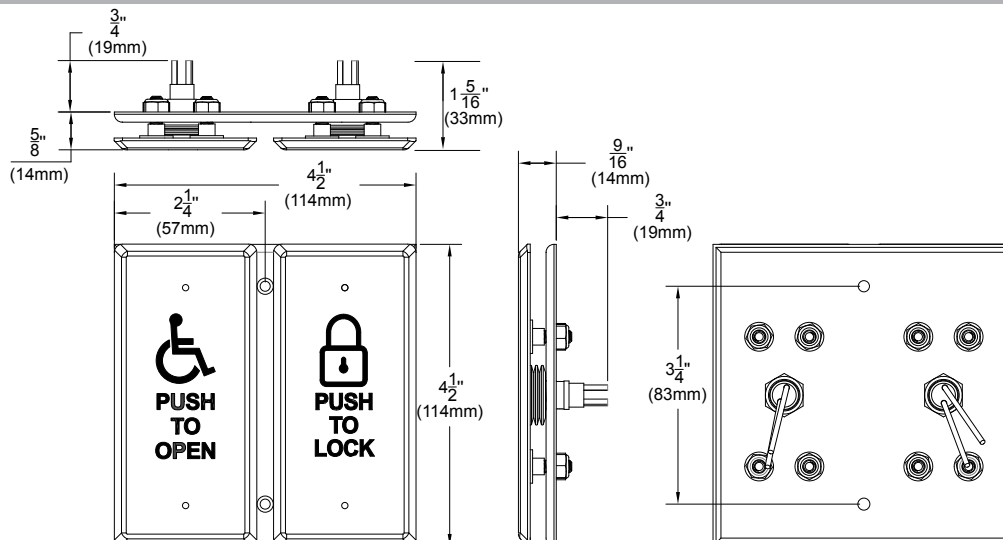
3. APPLICATION

Camden switches are designed for areas where an easy-to-activate, high-visibility switch is desired. Ideal for high-traffic areas, hospitals, wheelchair access, seniors' residences, etc. They can be surface or flush mounted.

Camden combination key switch and push plate switches are designed to control electric strikes, electromagnetic locks and automatic doors. The keyswitch may be used for "after hours" entry in an apartment application or to turn an automatic door ON/OFF. They may also be used for shunting, bypassing alarms, request to exit, timed functions and many other applications.

Camden vestibule switches are designed to control two automatic doors in vestibules. The switches are made for high frequency usage for both indoor and outdoor environments. Camden switches are versatile and can be supplied in various configurations and finishes to suit any commercial, industrial or institutional application.

4. DIMENSIONS



CM-2520 Double Gang Vestibule Push Plate Switches

INSTALLATION INSTRUCTIONS

5. INSTALLATION AND WIRING

Mounting Options:

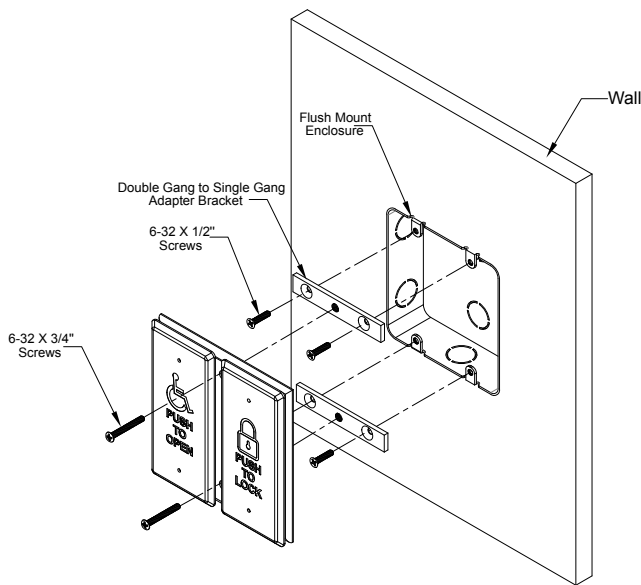
- The CM-2520 can be installed using either flush or surface mounting methods.

Selecting a Surface Mount Enclosure:

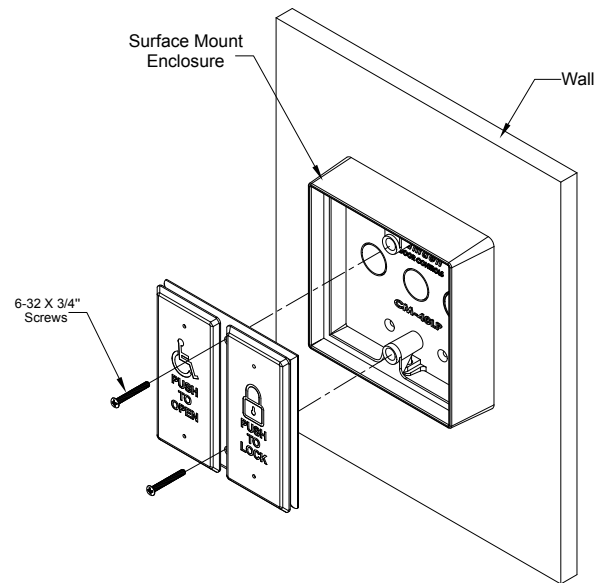
- Refer to the "Parts and Information" section (Page 3) to choose a suitable Enclosure.

Installation Process:

- Use two #6-32 x 3/4" screws for mounting
- Insert the screws into the designated mounting holes, and fully tighten them



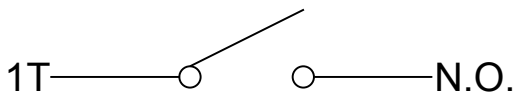
CM-2520 Flush Mount



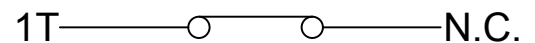
CM-2520 Surface Mount

WIRING

Switch is not pressed
SPST



Switch is pressed
SPST



Momentary: When the switch is pressed, the current pole will change to the opposite state until released

WIRING LAYOUT & COLOR CODING		
SWITCH TYPE	SPST N.O.	SPST N.C.
COMMON	BLACK	BLACK
NORMALLY OPEN	BLACK	
NORMALLY CLOSED		BLACK

6.PARTS INFORMATION

FACE PLATE GRAPHIC OPTIONS

PART NUMBER	DESCRIPTION
CM-XX/1	BLANK STAINLESS STEEL FACEPLATE
CM-XX/2	WHEELCHAIR LOGO IN BLUE
CM-XX/A2	FACEPLATE WITH MAN IN ACTION LOGO IN BLUE
CM-XX/3	"PUSH TO OPEN" GRAPHICS IN BLACK
CM-XX/3F	"POUSSEZ POUR OUVRIR" GRAPHICS IN BLACK
CM-XX/4	WHEELCHAIR LOGO WITH "PUSH TO OPEN" LOGO IN BLUE
CM-XX/A4	MAN IN ACTION LOGO WITH 'PUSH TO OPEN' LOGO IN BLUE
CM-XX/4F	WHEEL CHAIR LOGO WITH "POUSSEZ POUR OUVRIR" LOGO IN BLUE
CM-XX/48	WHEELCHAIR LOGO + 'PUSH TO OPEN' AND LOCK SYMBOL + 'PUSH TO LOCK'

COMPATIBLE MOUNTING BOXES

PART NUMBER	DESCRIPTION
CM-43CBL	BLACK POLYMER (ABS) SURFACE BOX, STANDARD DEPTH, PROVISION FOR WIRELESS, DOUBLE WALL 4-1/2"W X 4-1/2"H X 2"D
CM-43LP	BLACK POLYMER (ABS) SURFACE BOX, SHALLOW DEPTH, FLAME/IMPACT RESISTANT, 5"W X 5"H X 1-3/8"D
CM-54CBL	BLACK POLYMER (ABS) SURFACE BOX, STANDARD DEPTH, FLAME/IMPACT RESISTANT 5-1/4"W X 5-1/4"H X 2"D
CM-55CBL	BLACK POLYMER, ABS FLUSH BOX WITH STANDARD DEPTH, FLAME/IMPACT 6-1/2"W X 6-1/2"H X 2"D