

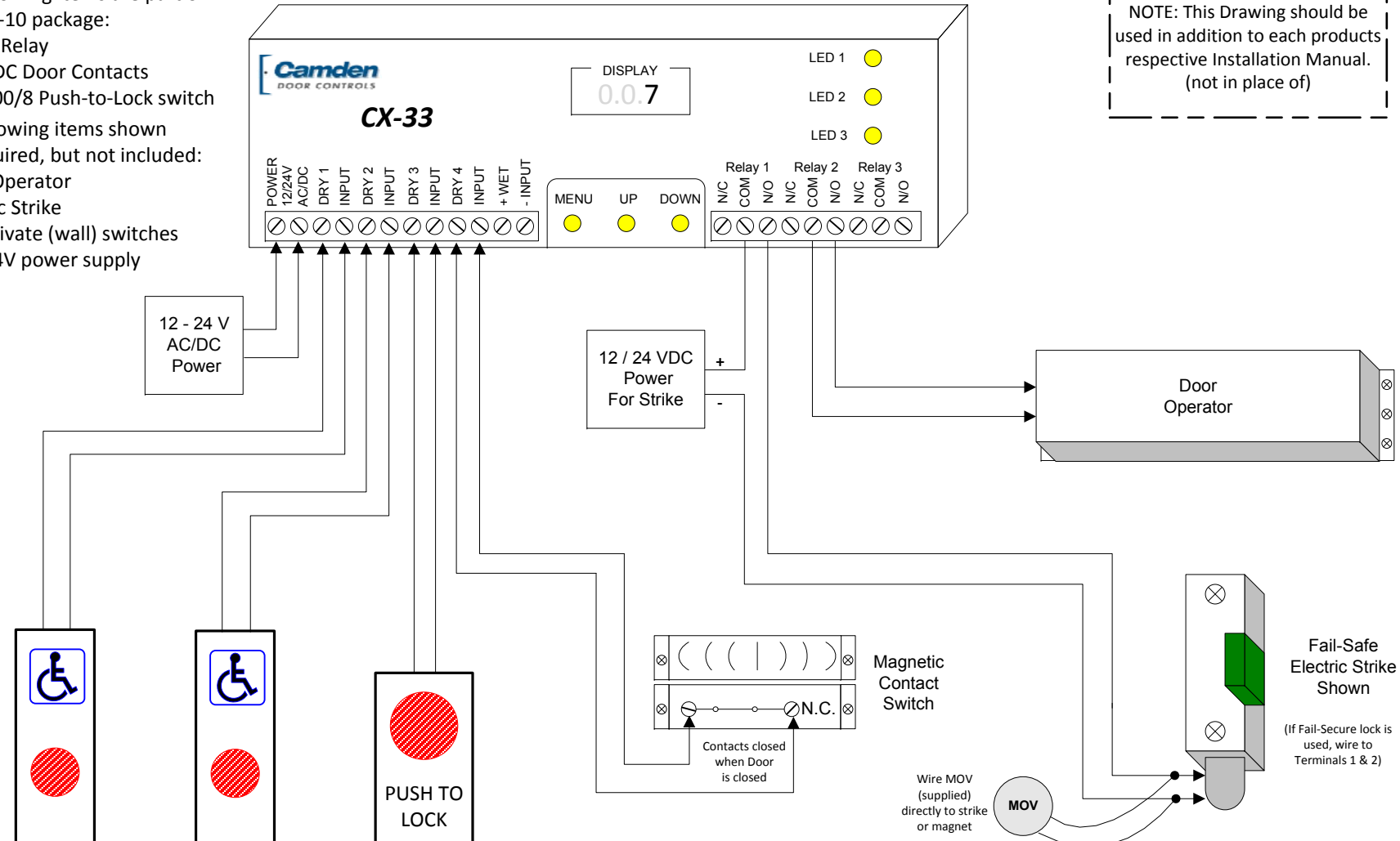
The following items are part of the WC-10 package:

- CX-33 Relay
- CX-MDC Door Contacts
- CM-400/8 Push-to-Lock switch

The following items shown are required, but not included:

- Door Operator
- Electric Strike
- (2) Activate (wall) switches
- 12 / 24V power supply

NOTE: This Drawing should be used in addition to each products respective Installation Manual. (not in place of)



Outside Wall Switch

Inside Wall Switch (always unlocks & opens door)

CM-400/8 Push to Lock Switch

Wire MOV (supplied) directly to strike or magnet

(If Fail-Secure lock is used, wire to Terminals 1 & 2)

		Camden Door Controls		5502 Timberlea Blvd Mississauga, Ontario L4W 2T7
SCALE: NONE	DRAWN BY: DGW	DATE: 07/22/14	REVISED:	
WC-10 Washroom Package <i>Wiring Diagram (normally unlocked)</i>				
DRAWING No: DRG-CX-WC-10-7		FILENAME: WC-10-7 wiring diagram.vsd		

For Normally Locked Door, see over...

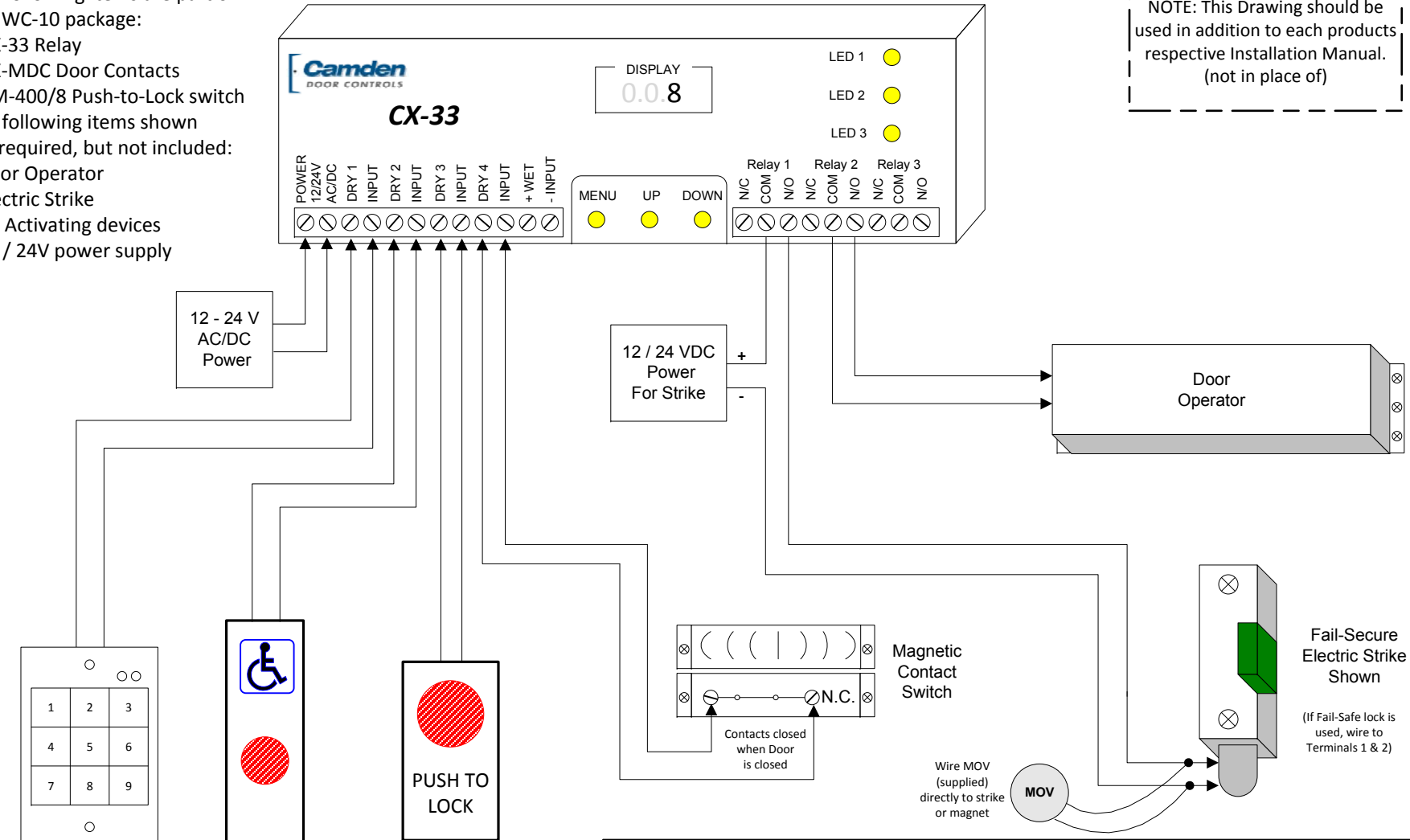
The following items are part of the WC-10 package:

- CX-33 Relay
- CX-MDC Door Contacts
- CM-400/8 Push-to-Lock switch

The following items shown are required, but not included:

- Door Operator
- Electric Strike
- (2) Activating devices
- 12 / 24V power supply

NOTE: This Drawing should be used in addition to each products respective Installation Manual. (not in place of)



Outside Keypad, Key switch, Prox reader or similar

Inside Wall Switch (always unlocks & opens door)

CM-400/8 Push to Lock Switch

		Camden Door Controls		5502 Timberlea Blvd Mississauga, Ontario L4W 2T7	
SCALE: NONE	DRAWN BY: DGW	DATE: 07/22/14	REVISED:		
WC-10 Washroom Package Wiring Diagram (normally locked)					
DRAWING No: DRG-CX-WC-10-8			FILENAME: WC-10-8 wiring diagram.vsd		

For Normally Unlocked Door, see over...