

CX-MA0611 & CX-MA1211 Glass Door Mounting Kit for 600 and 1200 LB Magnetic Locks

INSTALLATION INSTRUCTIONS

1. INSTALLING THE U-BRACKET

1. Place the U-rubber over the top of the glass door as shown in figure 1
2. Place the insert plate against the rubber (On the side where the armature plate will sit)
3. Place the U-Bracket over the insert plate and tighten using the 4 set screws provided
4. Place the flat washers in between the bracket unit and the armature plate. Secure the bracket unit by tightening the Armature plate with the Philips flat head screw provided

Note: DO NOT attach the mounting bracket too firmly, allow floating movement for maximum holding force.

CX-MA0611 and CX-MA1211 Bracket (Frameless Glass Door Installation)

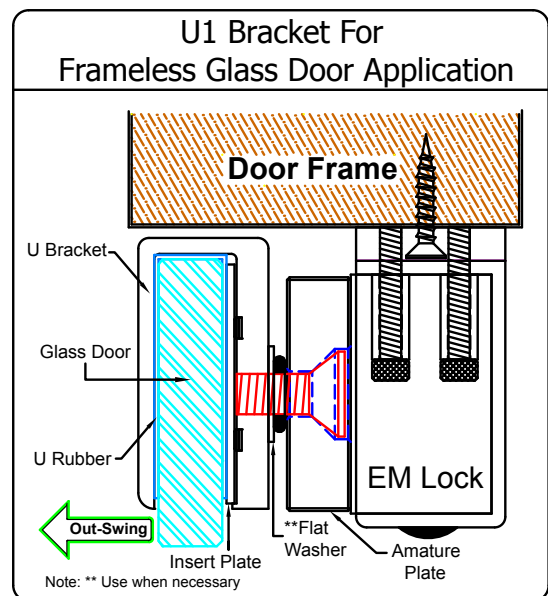
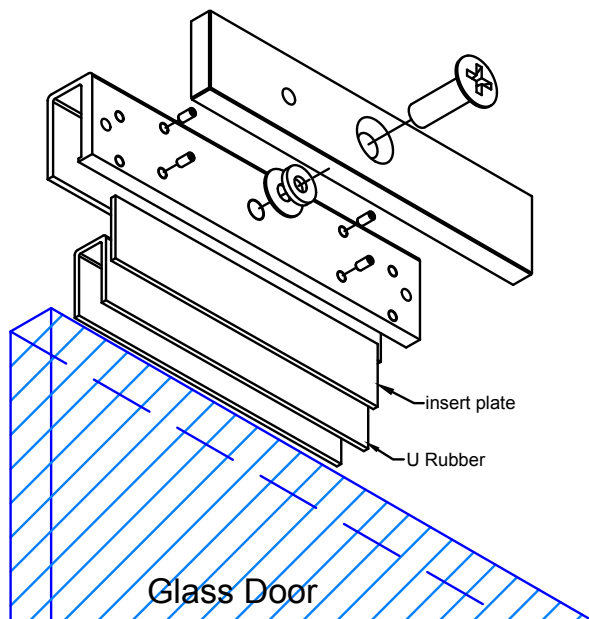
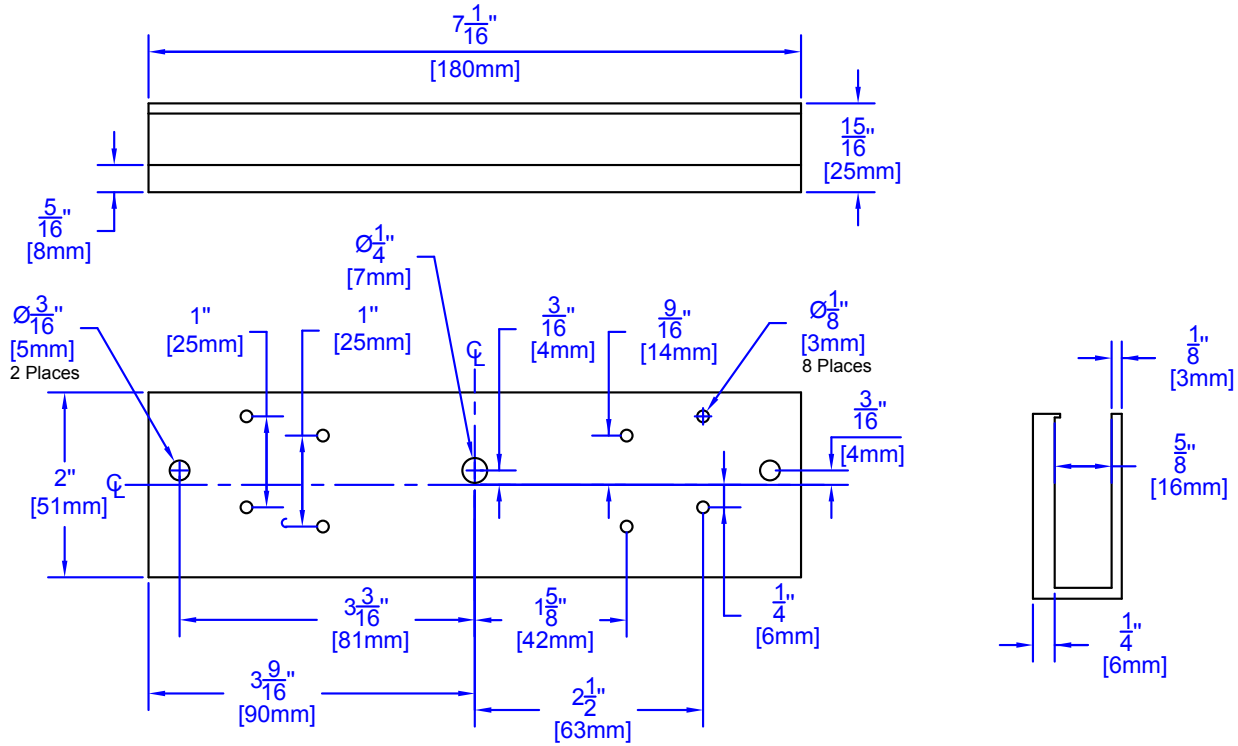
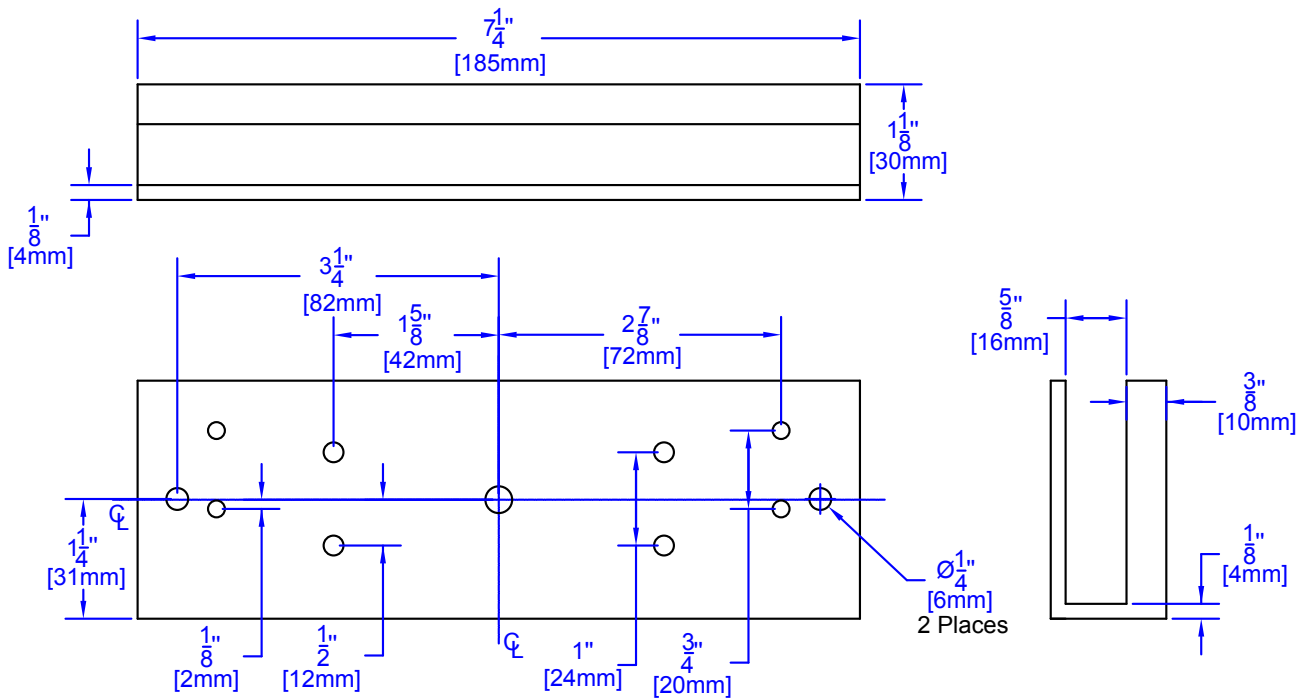


figure 1 Installation Method

2. DIMENSIONS



CX-MA0611 Bracket



CX-MA1211 Bracket