

CM-4085 and CM-5085 Series Mushroom Push Buttons

INSTALLATION INSTRUCTIONS

THIS PACKAGE INCLUDES:

- (1) 1-5/8" (40mm) Diameter button (CM-4085 series) or 2- 3/8" (60mm) Diameter button (CM-5085 Series)
- (1) Single Gang Die-cast Aluminum Faceplate
- (1) Pneumatic time delay.
- (1) Parts Kits



1. GENERAL DESCRIPTION

Camden Door Controls CM-4085 and CM-5085 Series Switches are heavy duty push buttons designed for industrial and commercial applications. CM-4085 buttons are 1-5/8 (40mm) in diameter, CM-5085 buttons are 2 3/8" (60mm) in diameter. They are available in red, blue, or green. All switches feature vandal resistance faceplate 1/4" [6mm] thick brushed aluminum, optional duranodic (US40) finish is also available.

CM-4085 and CM-5085 series switches are supplied with 1-60 second pneumatic timer. Pneumatic timer features 6 amps @ 24VDC.

2. SPECIFICATIONS

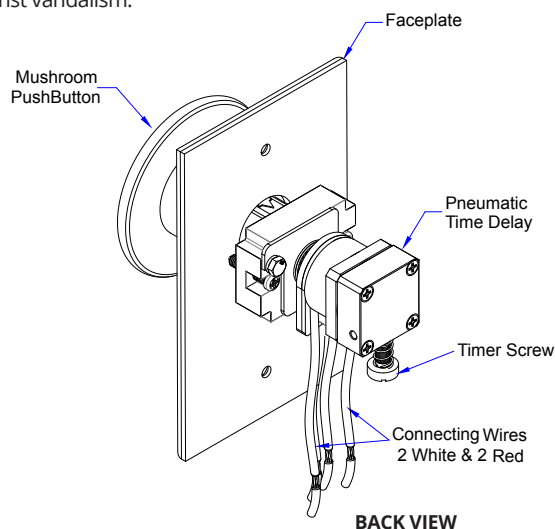
Voltage	12/24 VDC
Contact Rating	6A @ 24 VDC
Temperature Range	-13°F to 158°F (-25°C to 70°C)
Time Range:	1-60 Sec
Timer Life:	1,000,000 activations
Switch Type	Momentary
Contact Type:	N-C, N-O, Form 2
Standard Finish	Brushed Aluminum
Dimensions	<p>CM-4185 NARROW: 4 1/2" H x 1 3/4" W x 2 1/8"D (114mm X 44mm x 54mm)</p> <p>CM-4085 & CM-5085 SINGLE GANG 4 1/2" H x 2 3/4" W x 2 1/8"D (114mm X 70mm x 54mm)</p>

3. APPLICATION

Camden CM-4085 and CM-5085 'Request To Exit' Series Switches with built in pneumatic time delay are ADA (American Disabilities Act) compliant and are designed to de-energize electric locking devices (such as magnetic locks) on egress doors without reliance upon electrical power for their operation. The mechanical pneumatic timer is also adjustable, allowing flexible time control as required in the field. Select models comply with UL 294 (standard for access control systems) and are designed for use in access control installations meeting IBC (International Building Code) requirements.

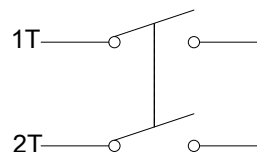
4. INSTALLATION

Pneumatic time delays require no power to operate. The timing range is 1 – 60 seconds and is easily adjusted by a thumbscrew. CM-4085 and 5085 Series mushroom push switches are heavy duty push buttons specially designed and manufactured to meet the stringent demands of exit control. No set screws are required, due to the bayonet interlocking of the modular assembly. Buttons are free spinning, for additional protection against vandalism.



5. WIRING

DPST



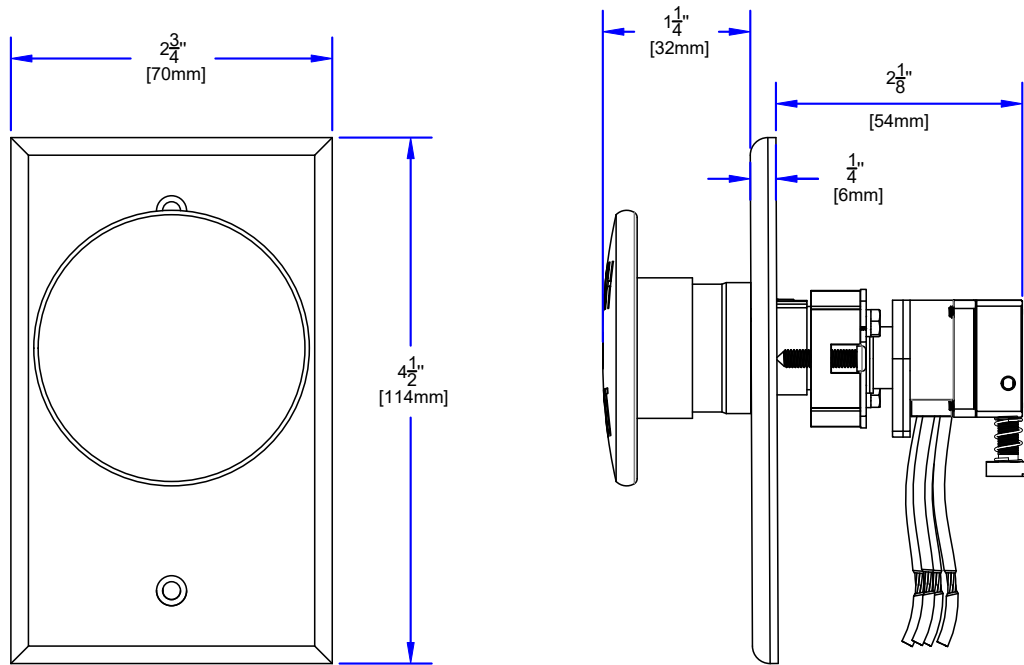
Momentary: When the switch is pressed it will provide a change of state on both of the N.O. & N.C. poles until released

WIRING LAYOUT & COLOR CODING		
SWITCH TYPE	DPST N.O.	DPST N.C.
NORMALLY OPEN	WHITE	RED
NORMALLY CLOSED	WHITE	RED

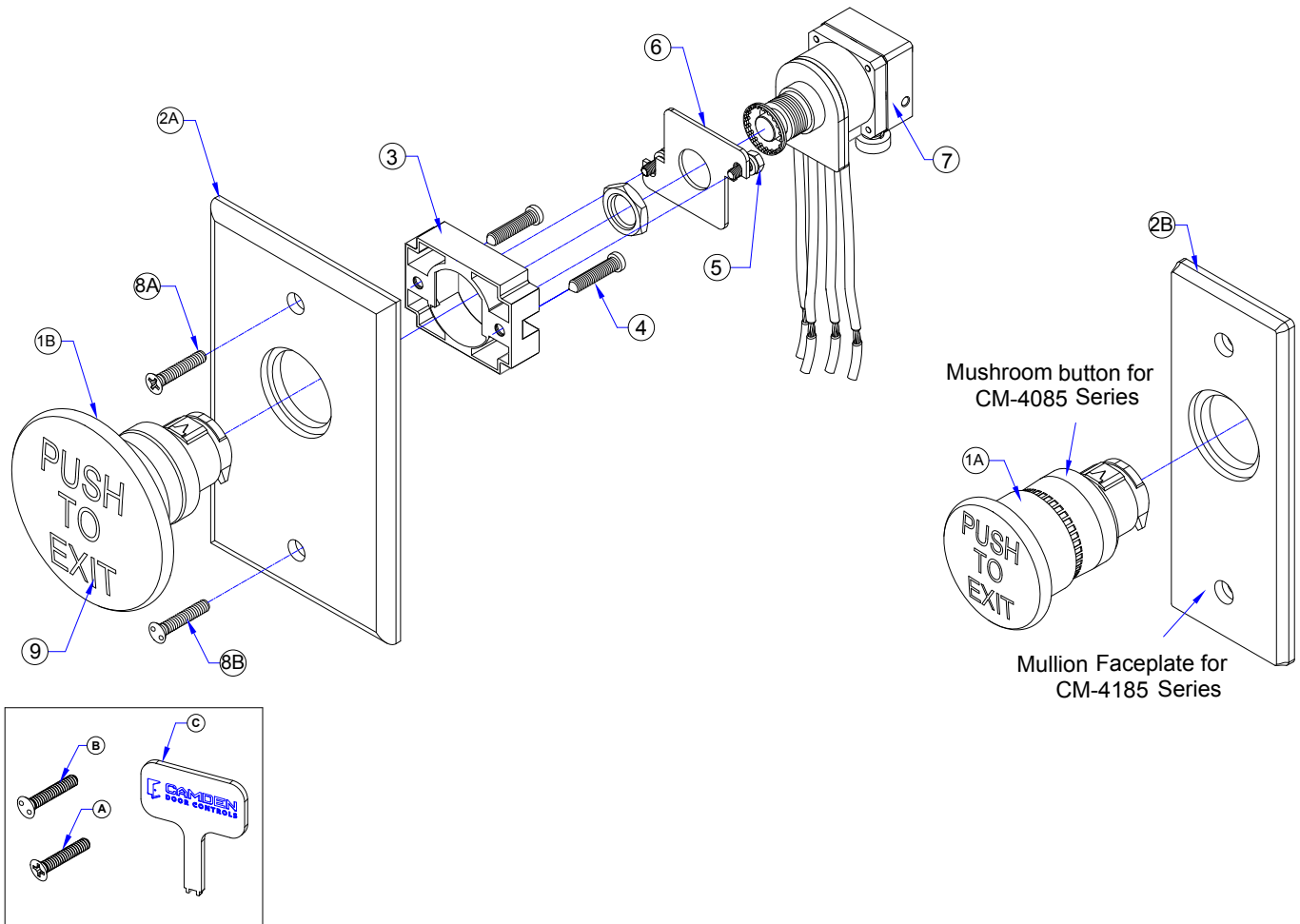
CM-4085 AND CM-5085 SERIES MUSHROOM PUSH BUTTONS

INSTALLATION INSTRUCTIONS

6. CM-4085 AND CM-5085 SERIES FRONT AND SIDE VIEW



7. PARTS INFORMATION



CM-4085 AND CM-5085 SERIES MUSHROOM PUSH BUTTONS

INSTALLATION INSTRUCTIONS

MODEL NUMBERS				
	MODEL NUMBER		QTY	DESCRIPTION
	CM-4085 SERIES	CM-5085 SERIES		
	CM-4185	-	1	SPRING RETURN WITH MULLION FACEPLATE, DPST 1-60 SEC PNEUMATIC TIME DELAY REQUEST TO EXIT SWITCH
	CM-4085	CM-5085	1	SPRING RETURN, DPST 1-60 SEC PNEUMATIC TIME DELAY REQUEST TO EXIT SWITCH
	CM-4085RPTE	CM-5085RPTE	1	SPRING RETURN, DPST 1-60 SEC PNEUMATIC TIME DELAY, RED BUTTON, 'PUSH TO EXIT'. COMPLETE MODEL. NO 'OPTIONS OR FINISHES' AVAILABLE
	-	CM-5085GPTE	1	SPRING RETURN, DPST 1-60 SEC PNEUMATIC TIME DELAY GREEN BUTTON, 'PUSH TO EXIT'. COMPLETE MODEL. NO 'OPTIONS OR FINISHES' AVAILABLE

ORDERING INFORMATION FOR REPLACEMENT PARTS			
ITEM NUMBER	PART NUMBER		DESCRIPTION
1.	A	CM-4085 SERIES	RED MOMENTARY MUSHROOM BUTTON (DIA. 1-5/8")
		60-66A000	
		60-66A005	
	B	CM-5085 SERIES	RED MOMENTARY MUSHROOM BUTTON (DIA. 2-3/8")
		60-66A006	
		60-66A007	
		60-66A009	
2.	A	60-41A003	DIE-CAST ALUMINUM SINGLE GANG FACE PLATE 4 1/2"H x 2 3/4"W x 1 3/4"D (114mm x 70mm x 44mm)
	B	60-41A004	DIE-CAST ALUMINUM MULLION FACE PLATE 4 1/2"H x 1 3/4"W x 1 3/4"D (114mm x 44mm x 44mm)
		60-40G020	ALUMINUM BLOCK
3.		60-51Z051G20	M4-07 X 16MM PHILLIPS SCREW, CADMIUM PLATED
4.		60-51Z092B08	M3 X 8 HEX HD CAP SCREW
5.		60-40A004	MOUNT BRACKET
6.		RM-1000/85M	PNEUMATIC TIME DELAY

PARTS KIT			
ITEM NUMBER	PART NUMBER		DESCRIPTION
8.		60-34B038	(A) 6-32 X 3/4 FLAT HEAD PHILLIPS ZINC PLATED SCREW (B) 6-32 X 3/4 SNAKE EYE TAMPER PROOF SCREW (C) TAMPER PROOF (SNAKE EYE) KEY

BUTTON ENGRAVED (IN WHITE) OPTIONS			
ITEM NUMBER	MODEL NUMBER		ENGRAVED GRAPHIC DESCRIPTION
9.		CM-xxxE	EXIT
		CM-xxxS	EXIT / SORTIE
		CM-xxxS	SORTIE
		CM-xxxESA	EXIT / SALIDA
		CM-xxxH	HANDICAP LOGO
		CM-xxxSA	SALIDA

COMPATIBLE MOUNTING BOXES			
ITEM NUMBER	PART NUMBER	DESCRIPTION	
10.	CM-66	FLUSH BOX & DRESS PLATE, STANDARD DEPTH BOX WITH 7" X 7" DRESS PLATE HEAVY GAUGE STAINLESS STEEL	
	CM-31	SLEEVE COVER FOR STANDARD 2 3/4" X 4 1/4" (70MM X 108MM) SURFACE ELECTRICAL BOX. HEAVY GAUGE STAINLESS STEEL	
	CM-CPC1	VANDAL AND WEATHER RESISTANT CLEAR LIFT COVER	
	CM-34D	SURFACE MOUNT BOX WITH EXTRA DEPTH HEAVY DUTY GREY POLYMER 4 1/2"H x 2 3/4"W x 1 3/4"D [114mm x 70mm x 44mm]	