

The following are part of the WC-13 package :

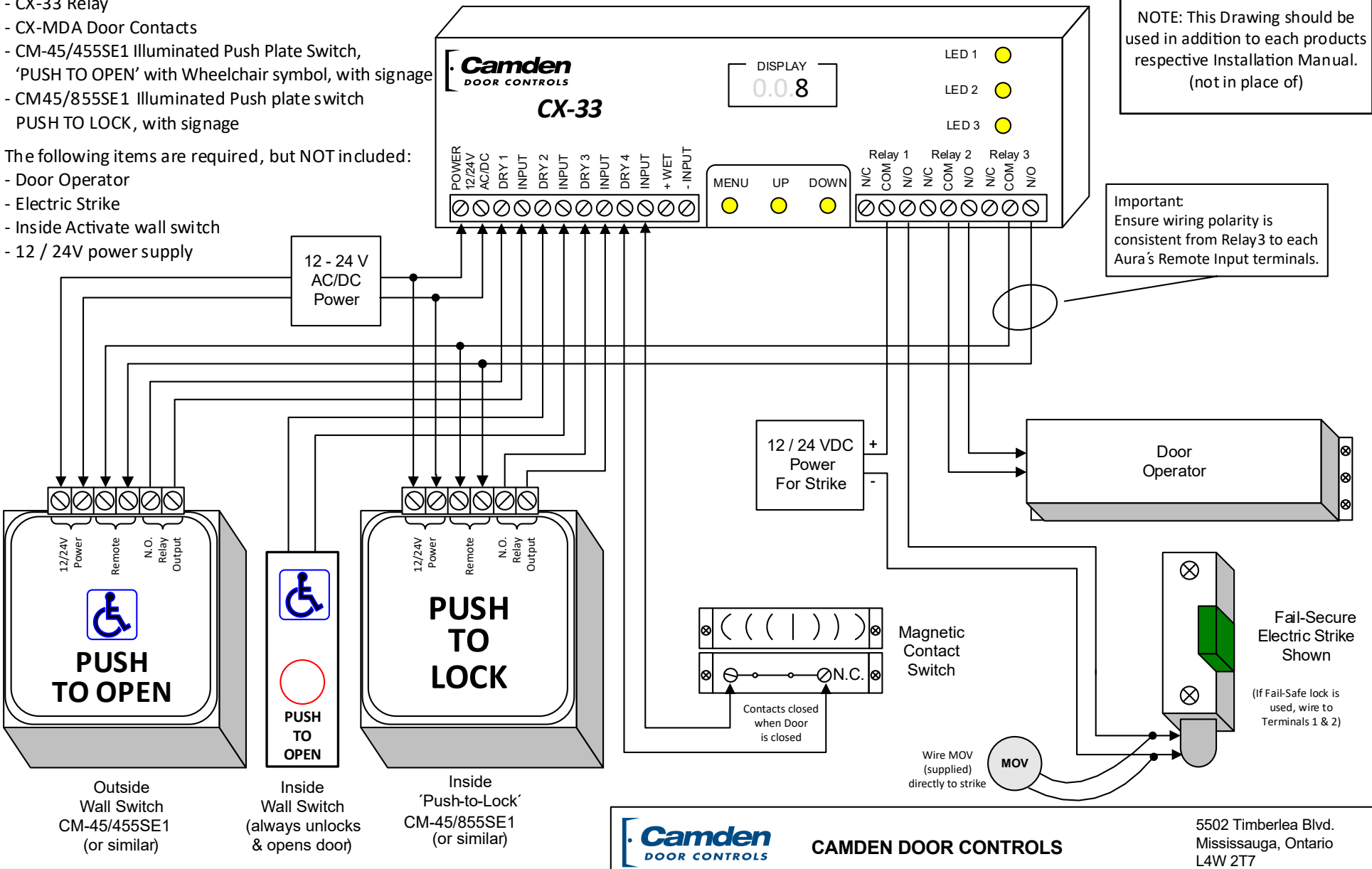
- CX-33 Relay
- CX-MDA Door Contacts
- CM-45/455SE1 Illuminated Push Plate Switch, 'PUSH TO OPEN' with Wheelchair symbol, with signage
- CM45/855SE1 Illuminated Push plate switch PUSH TO LOCK, with signage

The following items are required, but NOT included:

- Door Operator
- Electric Strike
- Inside Activate wall switch
- 12 / 24V power supply

NOTE: This Drawing should be used in addition to each products respective Installation Manual. (not in place of)

Important: Ensure wiring polarity is consistent from Relay3 to each Aura's Remote Input terminals.



Aura Dip Switch Settings	Enable	Active	Idle Color
REM/LOC RELAY SPEAKER	1 ■ NO 2 ■ NO 3 ■ NO	1 ■ NO 2 ■ NO 3 ■ NO	Green Red Blue

■ = Switch Position

**Camden DOOR CONTROLS** 5502 Timberlea Blvd. Mississauga, Ontario L4W 2T7

SCALE: NONE	DRAWN BY: DGW	DATE: 03/07/17	REV: 2
-------------	---------------	----------------	--------

**WC-13 Washroom Package Wiring Diagram (normally locked)**

DRAWING No: DRG-CX-WC-13-8	FILENAME: WC-13-8 wiring diagram_R2
----------------------------	-------------------------------------

For Normally Unlocked Door, see over...

Part # 40-82D003