

CX-DE1220

Double Door (Main and Tandem Lock)

INSTALLATION INSTRUCTIONS



Building & Fire Life Safety Code Compliant:

IBC International Building Code

NFPA 101 Life Safety Code

NFPA 1, UFC Uniform Fire Code

CBC California Building Code

BOCA National Building Code

Chicago Building Code

THIS PACKAGE INCLUDES:

- 1- Tandem Delayed Egress Lock Housing and Magnetic Plate
- 1 - Main Delayed Egress Lock Housing and Magnetic Plate
- 1- Mounting Template
- 4- Door Signs
- 1- Armature Plate Assembled Housing & Proxy Trigger
- 1- Electro Magnetic Lock Screw Packaging
- 1- Installation Manual

1. DESCRIPTION

Intended for double leaves door Indoor Application–Out Swing.

Both doors open in the same direction and each are equipped with a maglock. The right door looking from the inside will be the main lock CX-DE1200. The left door looking from the inside will be tandem lock CX-DE1201.

The two maglocks operate in tandem by the four wires connected between them. When one maglock is triggered for release delay by applying pressure to the door, the other also goes into release delay and both unlock after the release delay. A fire alarm condition will unlock both doors immediately. An external request to exit device (example: keypad or card reader), will unlock both doors at the same time. After a request to exit signal from the card reader or keypad, the door that was used, rearms both doors after closing, if the DPA is OFF. If the DPA is ON, the maglock must be manually reset by either the built-in key switch or remote key switch wired into the main lock. (Refer to main lock DIP switch #7 position.)

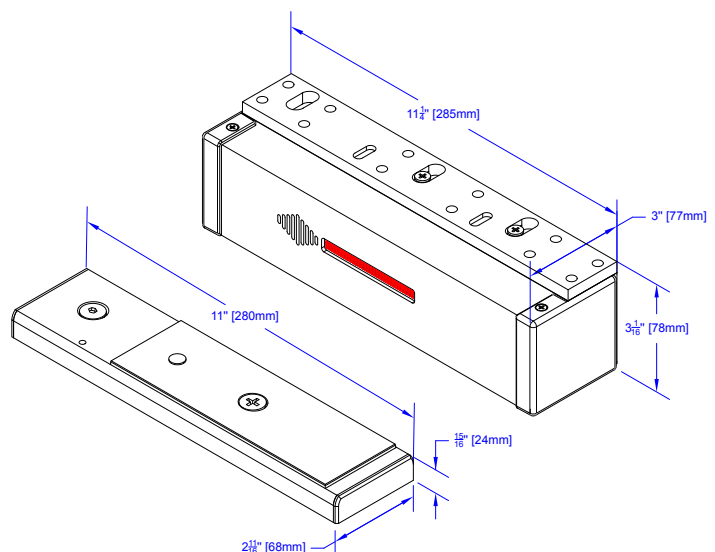
2. SPECIFICATIONS

CX-DE1220 Double Door kit (Main & Tandem lock)	
Voltage	12/24V DC +/- 10% (Auto Sensing) Power Suplly must be UL 294 or UL 603 Listed with a Class 2, power limited output
Current Draw	600mA / 350mA
DPS Rating Max. *	30 VDC, 0.1A, 1pF
Bond Sensor Rating Max. *	24 VDC, 1A, 1pF
ATS Rating Max. *0	30 VAC/42.4 VDC 5A, 1pF
Operating Temperature	0~55°C (32~131°F)
Operating Humidity	0~95% (non-condensing)
Dimensions (Lock)	11" H x 3" W x 3" D (280mm x 76mm x 74.5mm)
Dimensions (Armature Plate)	11" H x 2-5/8" W x 1" D (280mm x 68mm x 23.5mm)

Note: * Separately-energized

<p>PUSH UNTIL ALARM SOUNDS. DOOR CAN BE OPENED IN 15 SECONDS.</p>	<p>PUSH UNTIL ALARM SOUNDS. DOOR CAN BE OPENED IN 30 SECONDS.</p>
<p>KEEP PUSHING. THIS DOOR WILL OPEN IN 15 SECONDS. ALARM WILL SOUND.</p>	<p>KEEP PUSHING. THIS DOOR WILL OPEN IN 30 SECONDS. ALARM WILL SOUND.</p>

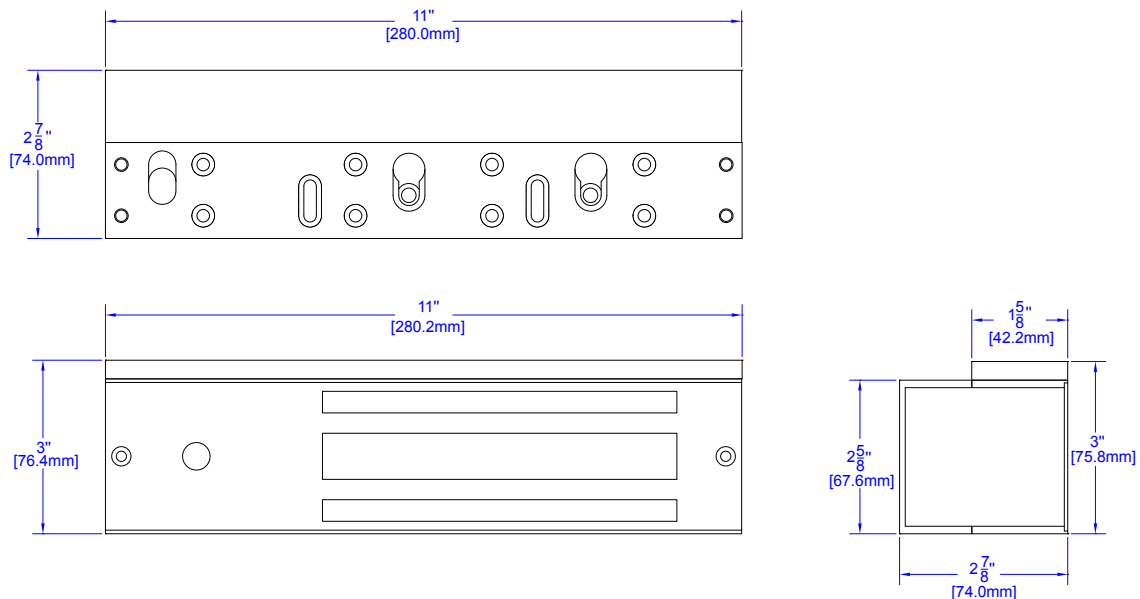
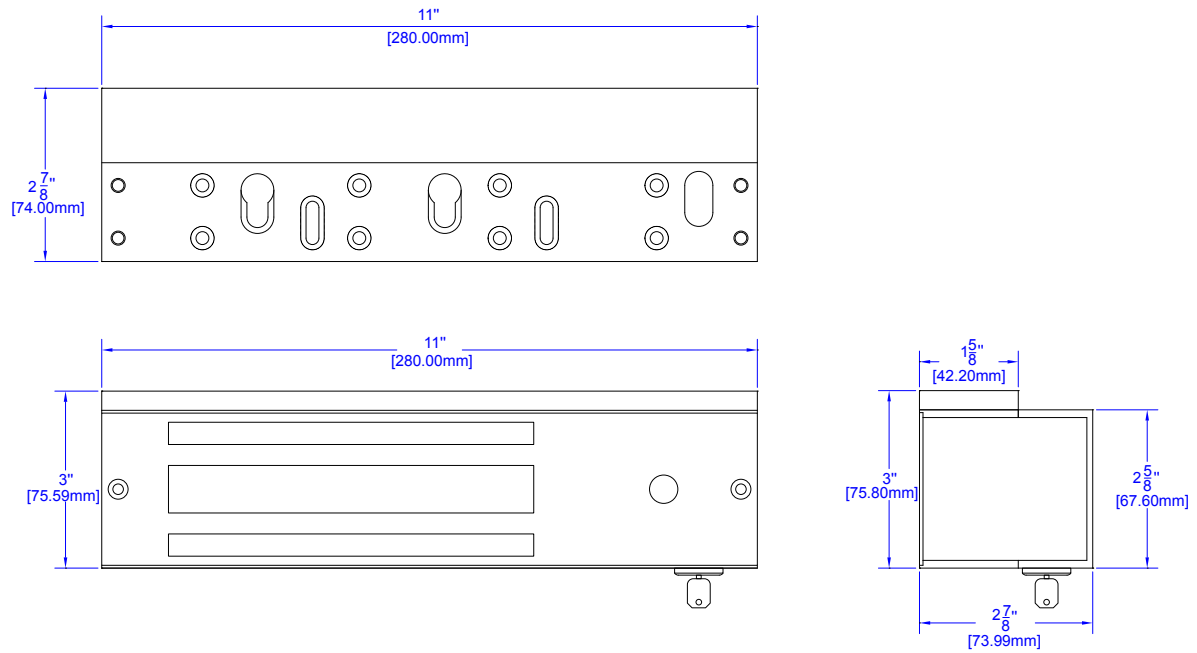
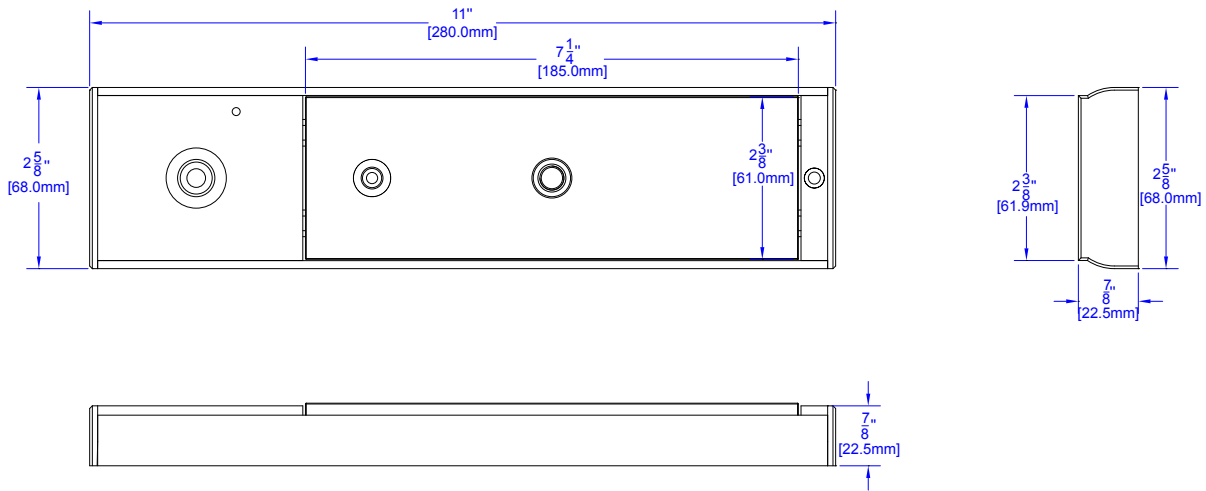
3. DIMENSIONS



UL 294 Access Control Performance Levels:	Levels:
Access Control Line Security	Level I
Destructive Attack	Level I
Endurance	Level IV
Standby Power	Level I

CX-DE1220 Double Door (Main and Tandem Lock)

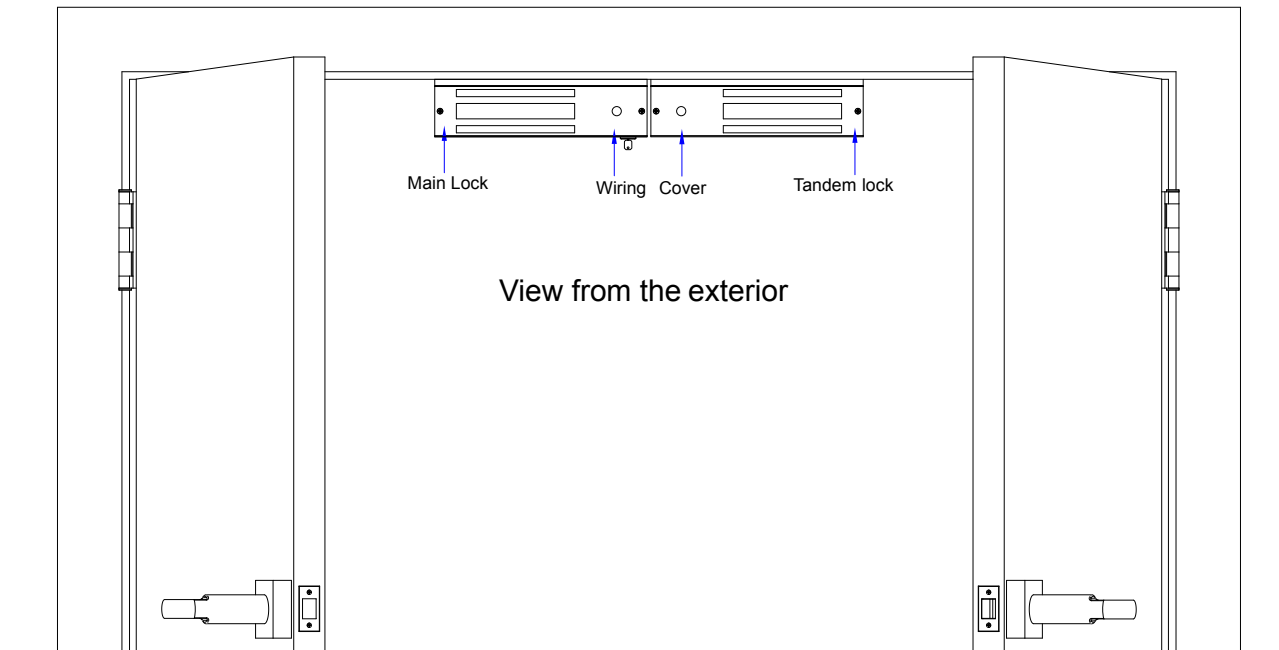
INSTALLATION INSTRUCTIONS



4. FEATURES

- Holding Force up to 1200 Lbs. (Not Validated by UL)
- Designed for double leaf doors by wiring to the main lock.
- Field selectable exit delay time 15 or 30 seconds
- Nuisance Delay period either 1, 2 or 3 seconds
- 75dB Buzzing Tone with LED segment bar display time seconds & field selectable voice alerts
- Choice of sensor to be activated:
 - Door Motion
 - Door Exit Device with momentary normally open contact
 - Push Bar with momentary normally open contact
- Auto Start Up:
 - Occurs when power supply is restored and/or the fire panel is restored (When allowed by Building & Fire Life Safety Code)
- Manual Start Up:
 - This is a California & UBC Building Code Compliant Feature. Only after power supply restoration and fire panel reset may the lock be Reset manual at the opening. This lock can be reset with the built-in reset key switch or an external key switch or a reset switch connected to the door
- Auto Sensing Voltage Power Input 12/24 VDC
- Reverse power protection:
 - If someone hooks power up backwards, the board simply does not turn on, protecting it from damage
- Hall Effect Sensor Monitoring Output
- Tamper Switch Output
- Tailgating Prevention - door will re-lock as soon as it closes
- Anti-Pass Back / Auto re-lock:
 - If door doesn't open after the count down, the door will automatically re-lock.
- ATS Anti-tamper switch provision to send an alert when the cover is removed.
- DPS Door Position switch provided to monitor the position of the auxillary door.
- A bond sensor output ensures the maglock is properly bonding to the armature.

Main Lock and Tandem Lock to be mounted with wiring cover in the middle

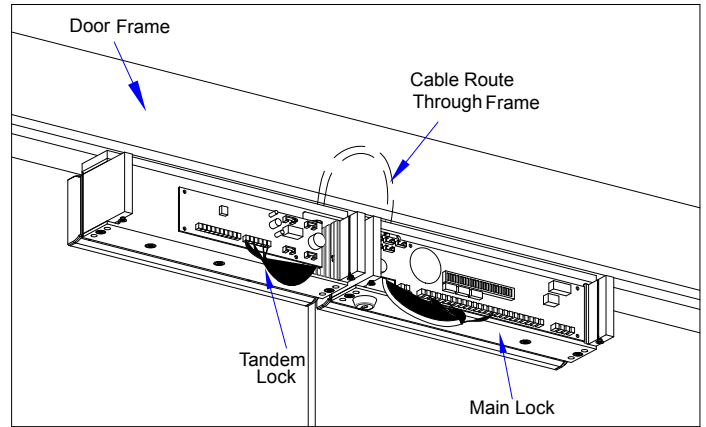
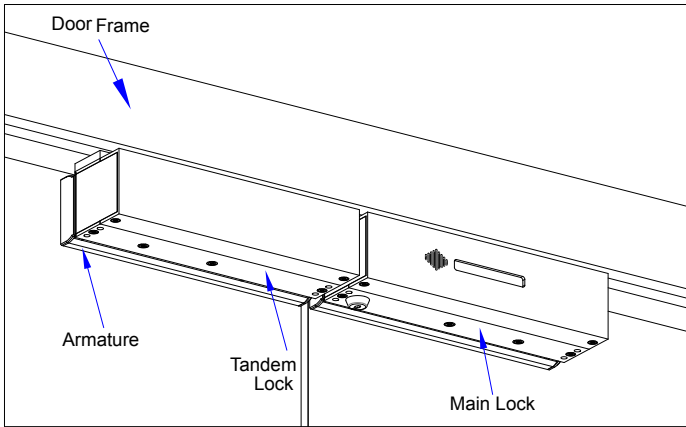


CX-DE1220 Double Door (Main and Tandem Lock)

INSTALLATION INSTRUCTIONS

Cable Installation:

1. Install supplied Route cable through the door frame
2. Connect wires to the main lock and to the tandem lock



5. INSTALLATION CONCEPT AND ACCESSORIES

Seven configuration versions are available to be compliant to regional jurisdictions.

Models	Delay Release Time (Seconds)		Nuisance Delay (Seconds)		Reset After Alarm		Lock Status on Power-Up	
	Fixed	Selectable	Fixed	Selectable	Selectable	Fixed	Fixed	Selectable
CX-DE1200-N1		15 or 30		1 or 2		Manual		Locked / Unlocked
CX-DE1200-N2	15			0 or 1		Manual		Locked / Unlocked
CX-DE1200-N3	30			0 or 1		Manual		Locked / Unlocked
CX-DE1200-N4	15			0 or 1		Manual	Unlocked	
CX-DE1200-B1	15			0 or 3	Auto / Manual			Locked / Unlocked
CX-DE1200-B2	30			0 or 3	Auto / Manual			Locked / Unlocked
CX-DE1200-B3	15		0		Auto / Manual			Locked / Unlocked

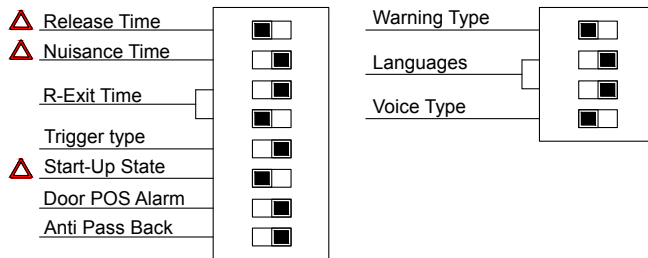
N# = NFPA Compliance B# = BOCA Compliance

BOCA Compliance

Manual Reset: Is achieved by authorized personnel closing the door after an alarm and actuating the integral reset key switch or by momentarily closing a contact connected to the remote RESET terminal.

Automatic Reset: Reset will automatically be initiated once the door has been opened, then closed and remains closed for 30 consecutive seconds.

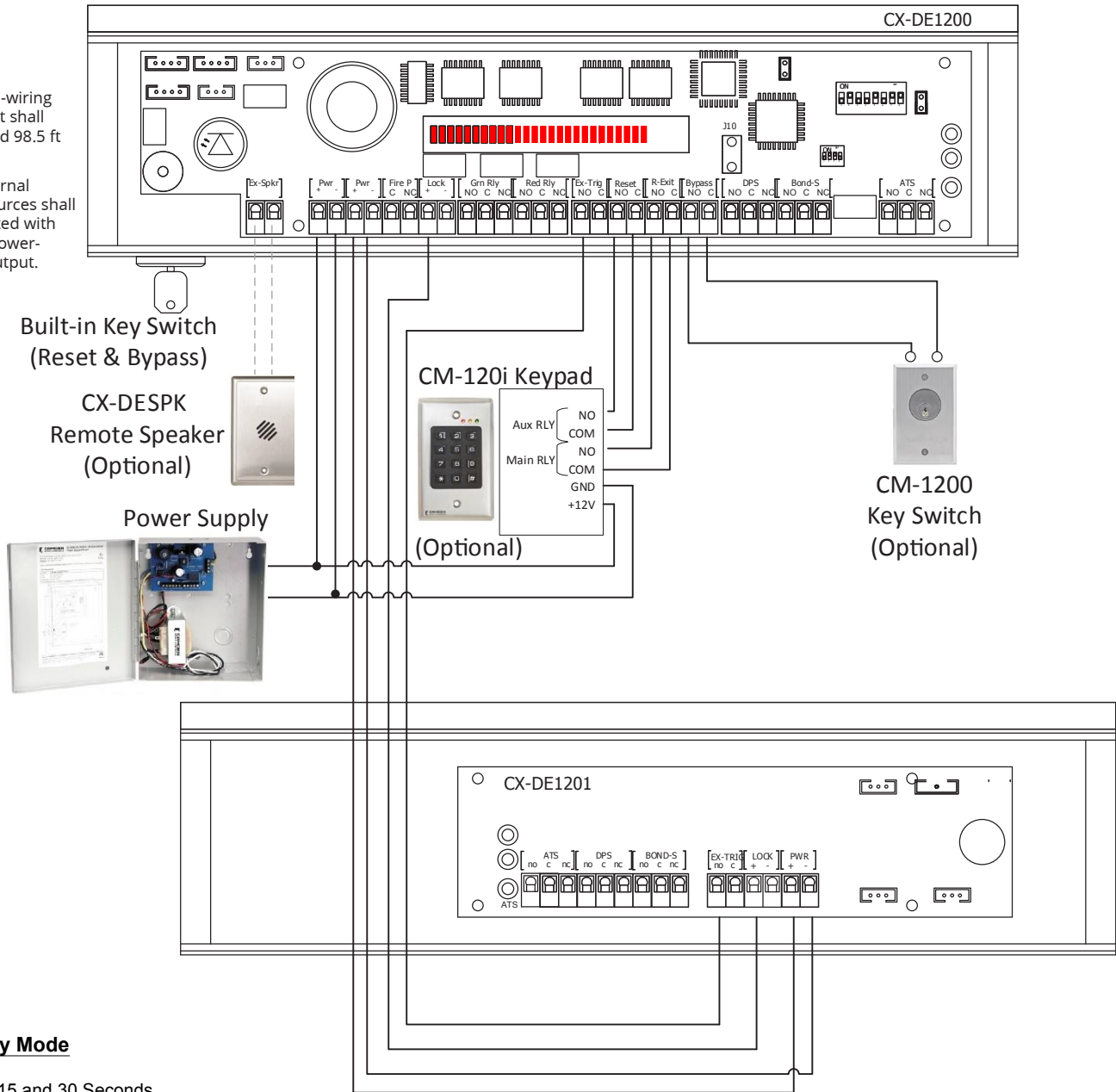
Dip Switch Settings



WARNING! Contact authority having jurisdiction for approval prior to selecting release time, nuisance time and start-up settings.

Delay Egress Electromagnetic Lock Installation (Intended use on Double Leaf Door)

NOTE:
 1) All field-wiring to the unit shall not exceed 98.5 ft (30 m).
 2) All external power sources shall be UL Listed with Class 2, power-limited output.



Display Mode

Mode: 15 and 30 Seconds



Door armed and locked in 15 or 30 seconds mode

Mode: Bypass



Door unlocked (Either Bypass or R-exit)

Mode: Unlocked (LED Blinking)



Door unlocked & alarm sounding until reset

Jumper Settings Jumper J10 (Fire Panel Input)



Installed: Factory default setting



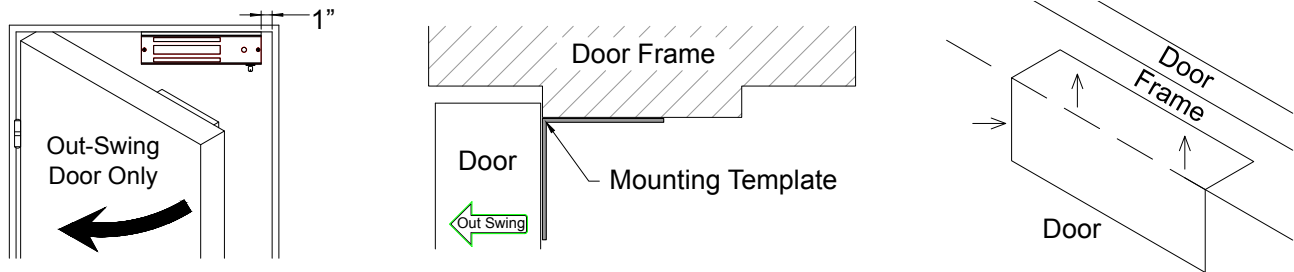
Uninstalled: Only if a dry contact (NC) from a fire alarm panel or smoke detector system is connected to the "Fire P" terminals.

CX-DE1220 Double Door (Main and Tandem Lock)

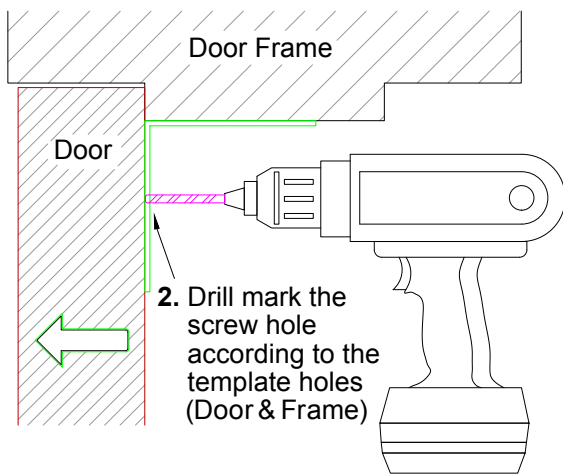
INSTALLATION INSTRUCTIONS





6. ARMATURE MOUNTING INSTRUCTIONS

Step 1: Close the door, position the EM lock mounting location as close to the upper corner of the door with a minimum gap 1".

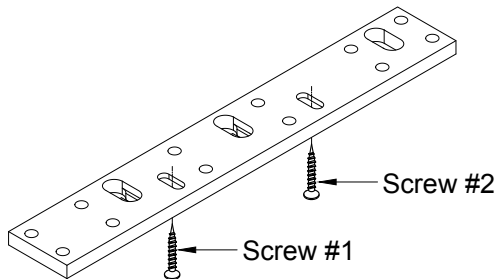
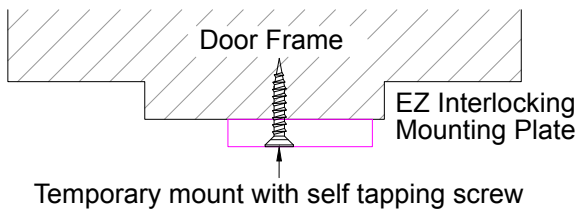


Step 2: Place the template against the door and frame and drill holes according to template indications.

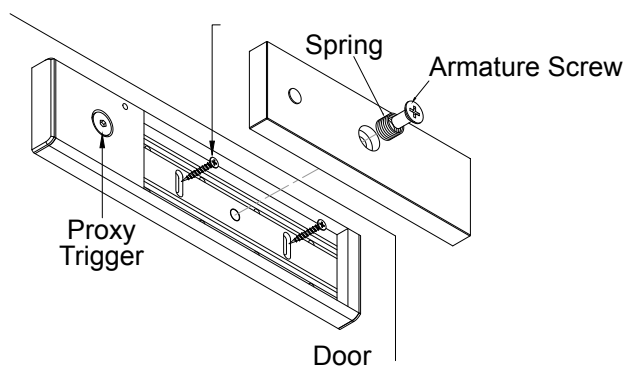
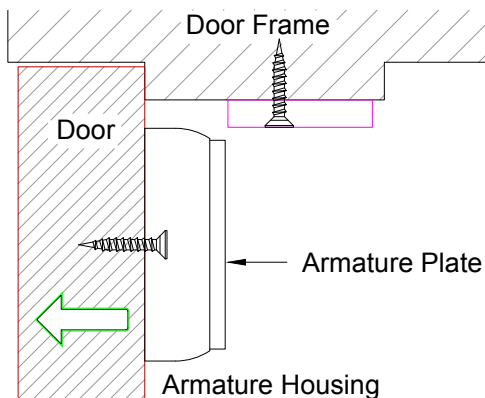


 Drill 1/2" Dia. for Cable Access Hole	 Install the mounting plate at 2 slots position first, then make proper adjustment before marking remaining screws hole position.	FB-DE1201 Template
Note: Dimensions might change if photocopied.		Place Against Door Frame
DE1201-TEMPLATE with FB-DE1200-280  FOLD 90° ON THIS DOTTED LINE		
Armature Housing-DE1200 Template		
 Install the Armature Housing with 2 screws position first, then make proper adjustment before marking remaining screws hole position.		
IG-DE1201-280 Ver.1019		Place Against Door

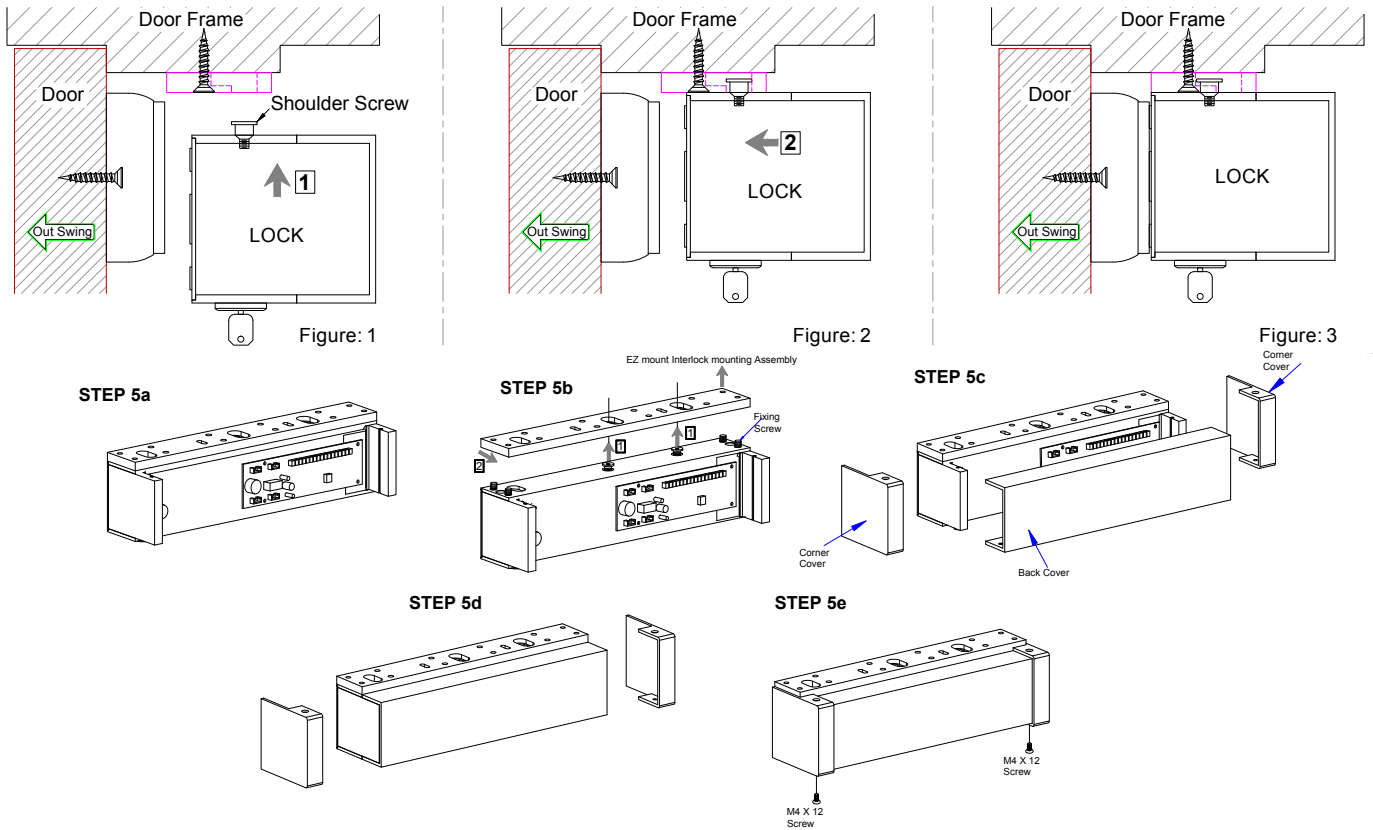
Step 3: Place the mounting plate against the door frame and screw in according to the template holes position.



Step 4: Place the armature housing against the door and screw in according to the template holes position

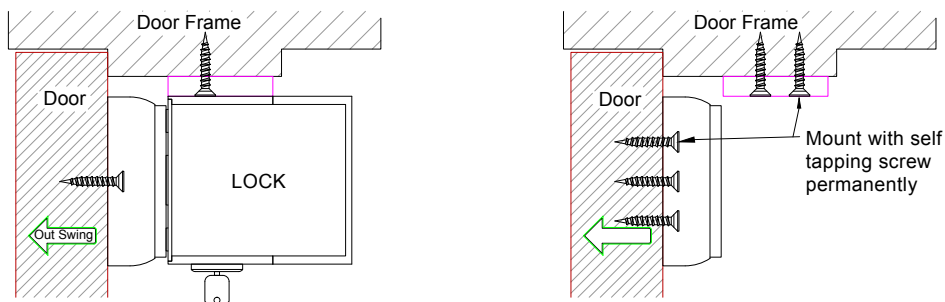


Step 5: Slot in the electromagnet lock unit through the shoulder screw into the EZ mounting plate as shown in Figure 1-2 below.
CAUTION: The lock unit must be held in place until secured with fixing screws.

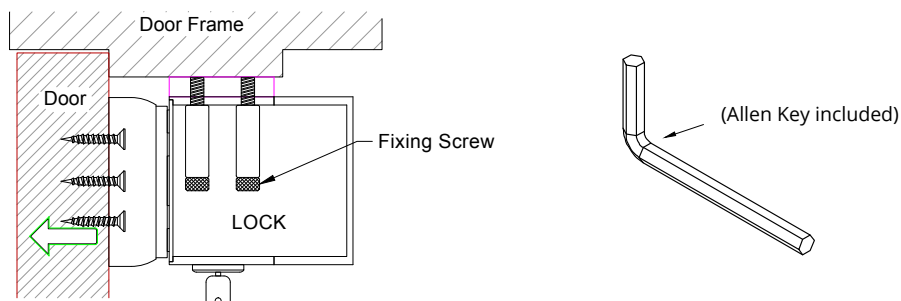


Step 6: Align the lock unit with the mounting plate. Fix the lock unit to the mounting plate with the allen key given through fixing the screw. Carefully screw into the mounting plate to avoid stripping the threads. Check and confirm the alignment and mating surface between the armature plate and lock unit.

NOTICE: Loosen screw #1 or #2 to re-align the mounting plate and position the lock unit mating surface to fully attach with the armature plate. Re-tighten screw #1, #2 and screw-in the balance screw holes of mounting plate and armature housing.



Step 7: Pull the wires through the door frame, mounting plate and into the electromagnetic lock unit casing. Fix the electromagnet lock unit to the mounting plate with the fixing screw. Make sure to fully tighten the fixing screw with the proper tool (eg. "T" Handle Allen Key).



CX-DE1220 Double Door (Main and Tandem Lock)

INSTALLATION INSTRUCTIONS

Step 8

After the lock unit has been mounted to the door and frame as per the provided template, route the wires through the access hole and out to the controller board. Re-mount the lock front cover onto the lock. Make sure the proxy sensor is aligned with the hole on the cover. The sensor height is factory default which slightly projected out from the surface cover.

CAUTION: Do not attempt to adjust the proxy sensor height, as this will result in damage to the sensor and void the warranty.

Step 9

Make all wiring connections to the lock controller board. Special precaution on the polarity of the input power terminals. This lock has auto sensing voltage feature which automatically configures itself for 12 VDC or 24 VDC operation. Correct power supply voltage must be used for proper lock operation.

NOTE: The length of wiring to all field-wiring terminals shall not exceed 98.5 ft (30 m)

Step 10

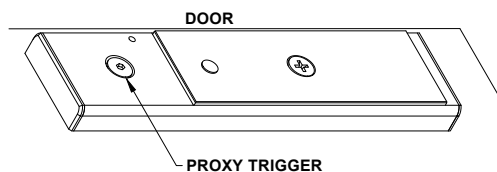
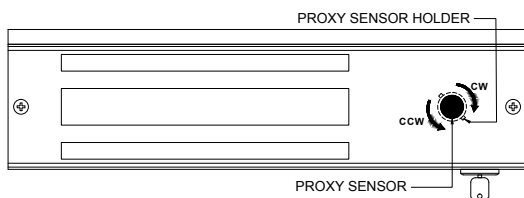
Slowly swing the door closed and visually check the position of the proxy trigger as it approaches the proxy sensor on the lock. The proxy trigger & sensor should align between one another either horizontally or vertically, if the installation was done perfectly using the provided mounting template. The LED at the back of the proxy sensor will light on when the proxy trigger is detected.

IMPORTANT NOTICE: Standard operation of the lock depends on the proxy sensor being able to detect the proxy trigger when the door is swung closed. A minor adjustment can be made to the proxy sensor height for fine tuning.

Step 11

Fine Tuning Proxy Sensor Height:

- Turning proxy sensor holder clockwise (CW) will increase the height of the proxy sensor from the front cover surface; hence decreasing the gap between the sensor and proxy trigger.
- Turning proxy sensor holder counterclockwise (CCW) will decrease the height of the proxy sensor from the front cover surface; hence increasing the gap between the sensor and proxy trigger.



Step 12

Fine Tuning Door Movement Detection Sensitivity:

The proxy trigger is spring loaded and can be screwed in or out from the proxy trigger ABS housing using the provided Allen key M5. Hence, increase or decrease the gap between the sensor and proxy trigger.

IMPORTANT NOTICE: Standard installation of the proxy sensor and proxy trigger does not have to touch each other physically to operate correctly.

Trigger Type:

The trigger type is field selectable either EXTERNAL or INTERNAL. Selecting INTERNAL mode uses the built-in proxy sensor and EX-TRIG terminal to trigger the Release Time cycle. Make sure DIP switch #5 on the main CX-DE1201 lock is in the OFF position for INTERNAL mode operation.

Release Time:

The Release time can be selectable either 15 or 30 seconds. The Nuisance time delay is included in the door Release cycle and the total time to unlock the door remain the same as per setting once sensor is triggered.

Nuisance Time:

The Nuisance time feature is a warning time delay that commences when pressure is applied to outward swinging doors. Releasing the door before the end of the nuisance time, will turn off the warning alarm buzzer and reset nuisance time to origin. Nuisance time is field selectable for 1, 2 or 3 seconds. Triggering the proxy sensor beyond the nuisance time will start the irreversible Release cycle time. The Nuisance time is included in the lock Release time cycle.

R-Exit Time:

The Request Exit (R-Exit) time is field selectable for 1, 15, 20, or 30 seconds. The R-Exit time is the duration for the lock that will remain Unlocked (Bypass), after a remote normally open contact switch is momentarily activated. When activated with an access control system, the R-Exit time cycle will start after the access control relay open time expires. The door will automatically re-lock if the door is opened, then closed during the R-Exit time cycle.

Start-Up State:

The Start-Up selection, imply the state of lock during restoration of power up. It is field selectable either be LOCKED or UNLOCKED. In the LOCKED mode, the lock will be reset to secure mode. In the UNLOCKED mode, the lock will remain unlocked and the LED Bar display will indicate as per By-Pass mode. To reset the lock; a momentarily normally open contact to the RESET signal will re-lock the door. This feature selection is to comply with building code requirements in jurisdictions that require manual reset or re-lock upon loss and restoration of system power supply.

Warning Type:

The warning type is field selectable either TONE or VOICE. In secure status, the LED Bar displays a 15 segment or 30 segment LED light. Each segment represents. Upon activation of the irreversible Release Time cycle, the LED Bar segment display begins to turn off one by one. In VOICE mode, the countdown will be counted along with verbal exit guidance. When the LED bar display reaches zero, the lock will release. The verbal voice guidance changes to a continuous verbal instruction announcing, "Door Unlocked". In TONE ONLY mode, the countdown will be accompanied with a beeping tone only, and a continuous tone is heard once the Release time cycle ends.

Languages:

The voice message can be in 3 languages which are field selectable. The languages are English (Default), French and Spanish.

Voice Type:

For English only, the voice type is field selectable for either a male or female voice.

Examples:

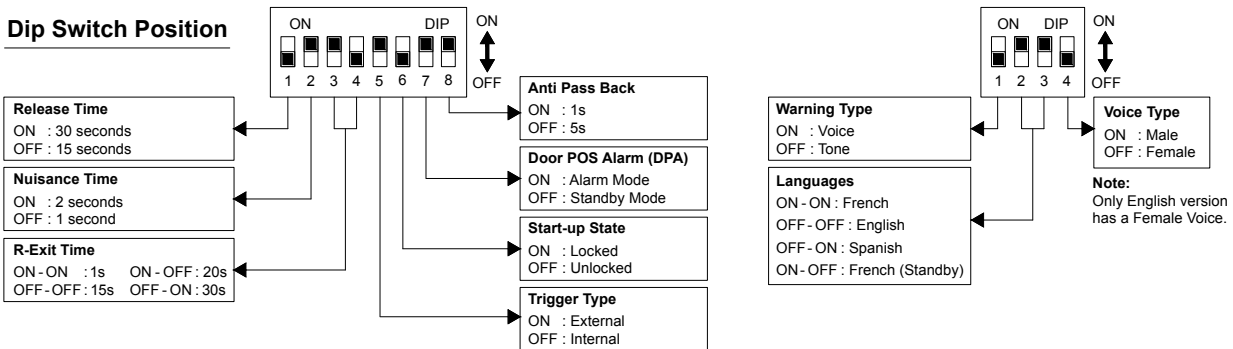
- 15 seconds Mode: "Door will unlock in 15 seconds; Door will unlock in 5 seconds; Door unlocked..." (Both messages repeat "Door unlocked" until the lock is reset).
- 30 seconds Mode: "Door will unlock in 30 seconds; Door will unlock in 20 seconds; Door will unlock in 10 seconds; Door will unlock in 5 seconds; Door unlocked..." (Both messages repeat "Door unlocked" until the lock is reset).

Door POS Alarm (DPA):

- DPA Active: The lock will enter alarm mode when the door is held open past the R-Exit time period triggering a buzzing tone or alarm voice and the DPA can be Reset by the built-in key switch or remote reset.
- DPA Inactive: The lock will enter stand-by mode which will remain unlocked if the door is held open past the R-Exit time set. No warning sound is emitted. The Lock can re-lock upon closure of the door.

Anti-Pass Back

If door doesn't open after the count down, the door will re-lock after a set time frame: 1 or 5 seconds.



7. CONFIGURATION

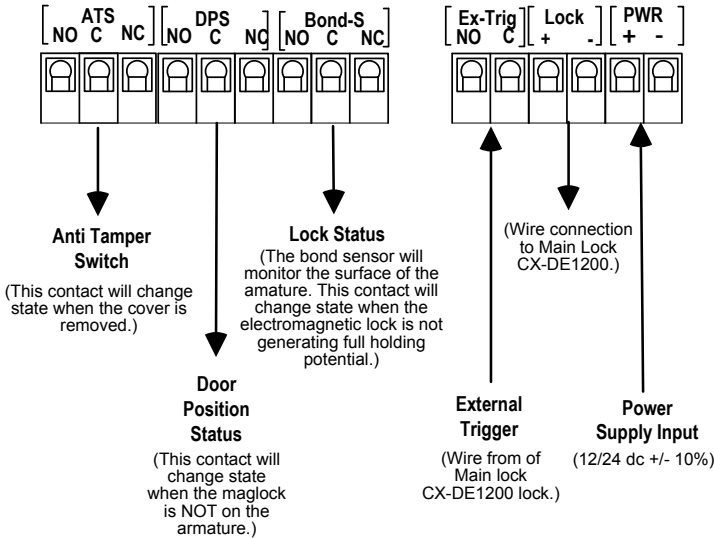
Configuration Options	Delay Release		Nuisance Delay		Request to Exit Period			Trigger Type		Power-Up State		Door Prop Open		Anti-Pass Back		Reset After ALARM
	Switch 1	Switch 2	Switch 2	Switch 1	Switch	3	4	Switch 5	Switch 6	Switch 7	Switch 8	Switch 7	Switch 8			
N1	15	OFF	1	OFF	1 Sec	ON	ON	Internal	OFF	Unlocked	OFF	Stand-by	OFF	5	OFF	Fixed Manual
	30	ON	2	ON	15 Sec	OFF	OFF	External	ON	Locked	ON	Alarm	ON	1	ON	
All options selectable					20 Sec	ON	OFF									
					30 Sec	OFF	ON									
N2	15	Not Used	0	OFF	1 Sec	ON	ON	Internal	OFF	Unlocked	OFF	Stand-by	OFF	5	OFF	Fixed Manual
	15	Not Used	1	ON	15 Sec	OFF	OFF	External	ON	Locked	ON	Alarm	ON	1	ON	
NFPA Compliant					20 Sec	ON	OFF									
					30 Sec	OFF	ON									
N3	30	Not Used	0	OFF	1 Sec	ON	ON	Internal	OFF	Unlocked	OFF	Stand-by	OFF	5	OFF	Fixed Manual
	30	Not Used	1	ON	15 Sec	OFF	OFF	External	ON	Locked	ON	Alarm	ON	1	ON	
NFPA Compliant					20 Sec	ON	OFF									
					30 Sec	OFF	ON									

CX-DE1220 Double Door (Main and Tandem Lock)

INSTALLATION INSTRUCTIONS

N4	15	Not Used	0	OFF	1 Sec	ON	ON	Internal	OFF	Unlocked	Not Used	Stand-by	OFF	5	OFF	Fixed Manual	
	15		1	ON	15 Sec	OFF	OFF	External	ON	Unlocked		Alarm	ON	1	ON		
NFPA/OSHPD Compliant. Power Up unlocked and manual reset is fixed.					20 Sec	ON	OFF										
					30 Sec	OFF	ON										
												Not Used	Switch 8				
B1	15	Not Used	0	OFF	1 Sec	ON	ON	Internal	OFF	Unlocked	OFF	Stand-by	OFF			Manual	OFF
	15		3	ON	15 Sec	OFF	OFF	External	ON	Locked		ON	Alarm			ON	Auto
BOCA Compliant. Automatic alarm reset after 30 continuous seconds from door closure.					20 Sec	ON	OFF										
					30 Sec	OFF	ON										
B2	30	Not Used	0	OFF	1 Sec	ON	ON	Internal	OFF	Unlocked	OFF	Stand-by	OFF			Manual	Off
	30		3	ON	15 Sec	OFF	OFF	External	ON	Locked		ON	Alarm			ON	Auto
BOCA Compliant. Automatic alarm reset after 30 continuous seconds from door closure.					20 Sec	ON	OFF										
					30 Sec	OFF	ON										
B3	15	Not Used	0	Not Used	1 Sec	ON	ON	Internal	OFF	Unlocked	OFF	Stand-by	OFF			Manual	OFF
	15		0		0	15 Sec	OFF	OFF	External	ON		Locked	ON			Alarm	ON
BOCA/Chicago Compliant. 0 sec nuisance. Automatic alarm reset after 30 continuous seconds from door closure.					20 Sec	ON	OFF										
					30 Sec	OFF	ON										

8. COMPLETE WIRING OPTIONS AND FUNCTIONS



9. PARTS REPLACEMENT

ITEM NUMBER	QTY	DESCRIPTION
1	1	MOUNTING PLATE
2	1	DOOR SIGNS
3	1	ELECTRO MAGNETIC LOCK SCREW PACKAGING

WARNING: Improper installation, maintenance, inspection or usage of the product or any related accessories or parts may cause the electromagnetic lock, armature plate and associated hardware to disengage and fall, causing serious bodily injury and property damage. Camden will not be liable to the installer, purchaser, end user or anyone else for damage or injury to person or property due to improper installation, care, storage, handling, maintenance, inspection, abuse, misuse or act of God or nature involving this product or any related accessories or parts. The delayed egress device should be routinely checked for proper operation and compliance with fire and building codes. Refer to maintenance document #40-82B292 for additional information."