

CV-350

TCP/IP Access Control System

System Overview



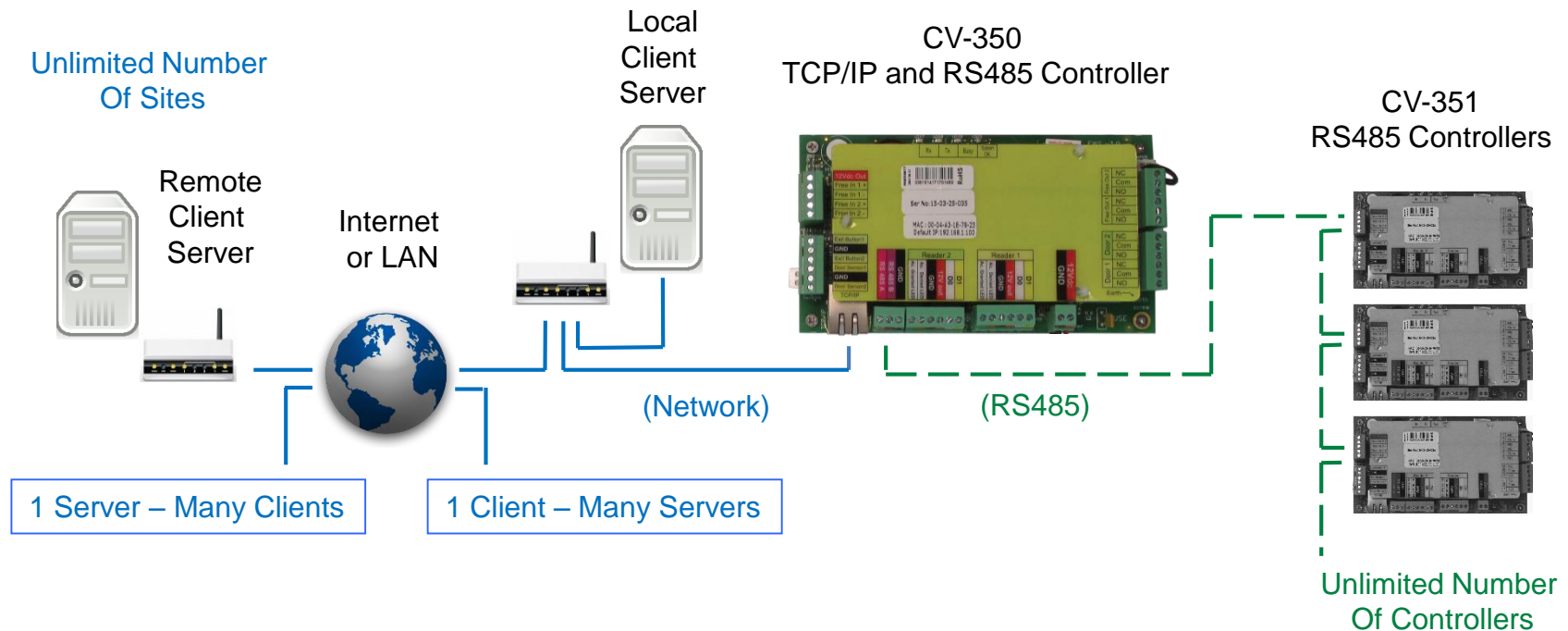
'Open' Product Access

Camden delivers the power of advanced IP access control differently than our competitors!

- All product sales exclusively through Authorized Distributors!
- No Distributor exclusivity!
- No installer licencing or forced certification!
- Free multi system and site software, no charge for upgrades!
- Industry best 3 year warranty!



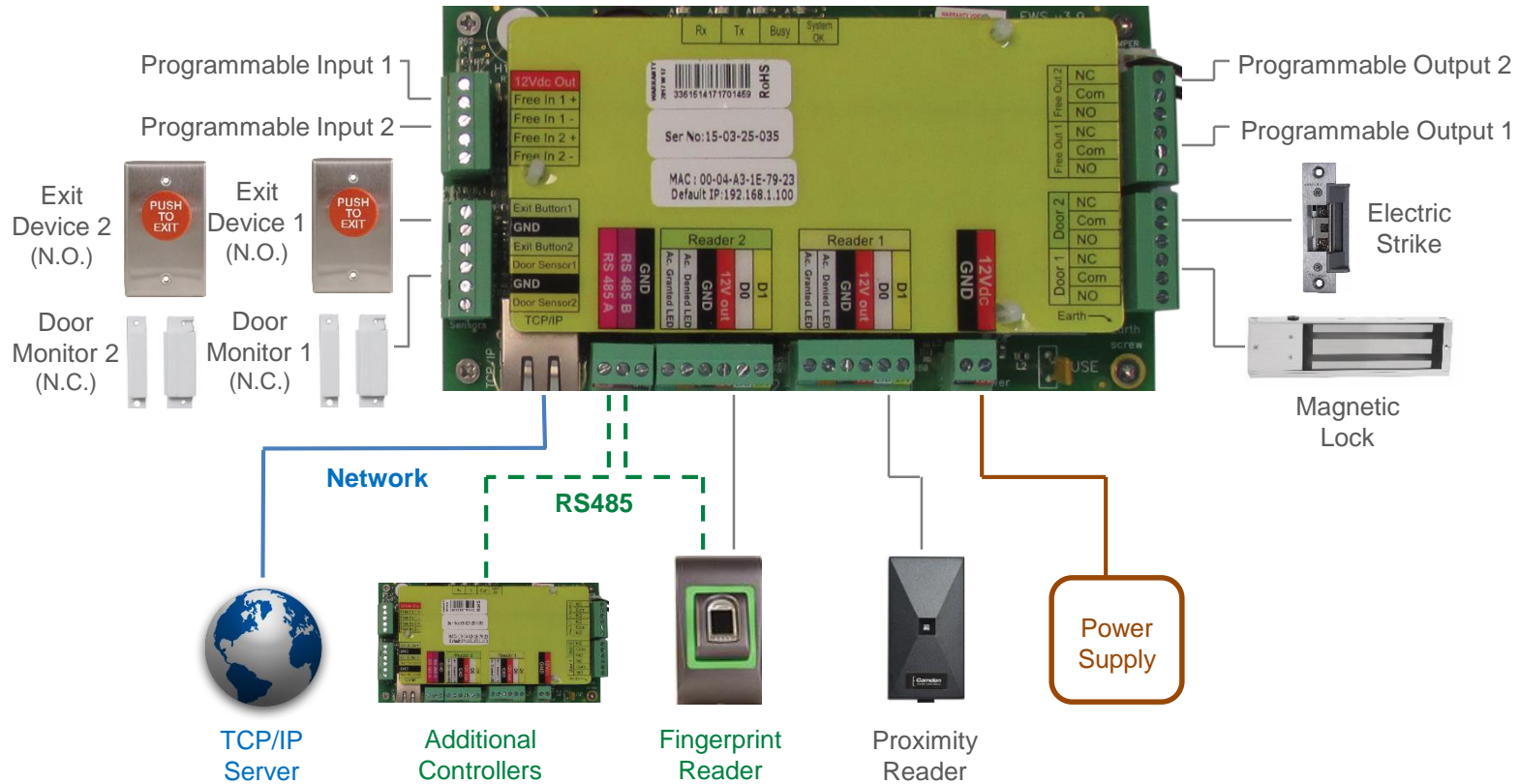
'State of the Art' System Architecture



Network Features

- Competitively priced system for small (2 to 6 door) access control projects.
- Expandable to an unlimited number of doors, users, access levels and sites.
- Fully integrated keypad, proximity reader and biometric fingerprint reader support.
- Multiple users can access the database on the server. Dongle required.
- Flexible network architecture supports one server with many client computers or many servers with one client computer.
- Distributed intelligence. Controllers will function even if communications is not present
- No dip-switch settings or remembering serial numbers. Software automatically detects new controller and devices
- Unlimited number of comports, TCP/IP nodes and subnets
- One RS485 communications bus per system. No home run required
- Fully configurable logic control of inputs and outputs across the network
- Dynamic DNS support

Two Door Controllers



Controller Features

- CV-350 two door controller with built-in TCP/IP and RS485 communications.
- CV-351 (expansion) two door controller with only RS485 communications.
- Unlimited number of controllers per system
- Distributed intelligence, each controller operate independent of other controllers.
- (2) Wiegand (8 to 128 Bit) reader ports.
- (2) exit device inputs.
- (2) door monitor inputs.
- (2) Fully programmable inputs.
- (4) Fully programmable 10 Amp @ 250 VAC relay outputs.
- Up to 15,000 users per controller.
- Up to 30,000 events per controller.
- 360 day data retention upon power loss.
- Color coded wiring and terminals makes installation easier.

Fully Integrated Wiegand Device Support



CV-350 supports all brands of Wiegand (8 to 128 Bit) devices with selectable entry mode (card, finger, pin code - card + pin, card + finger or pin + finger).



Keypads – with selectable 1 to 8 digit code length



Prox Readers – selectable 26, 30, 34, 37, 40 bit, clock & data. 3 color LED status indication

Fingerprint Readers – with enrollment from any reader on system, or remotely. Management software/database built-in

CV-350 Control Panels



TWO DOOR CONTROL PANELS

CV-352

(1) TCP/IP & RS485 controller, 2 Amp power supply, 40VA transformer, & metal cabinet

CV-352E (Expansion)

(1) RS485 controller, 2 Amp power supply, 40VA transformer, & metal cabinet

CV-350 Control Panels



FOUR DOOR CONTROL PANELS

CV-354

(1) TCP/IP & RS485 controller, (1) RS485 controller, (1) 2 Amp power supply, (1) 40VA transformer, & metal cabinet

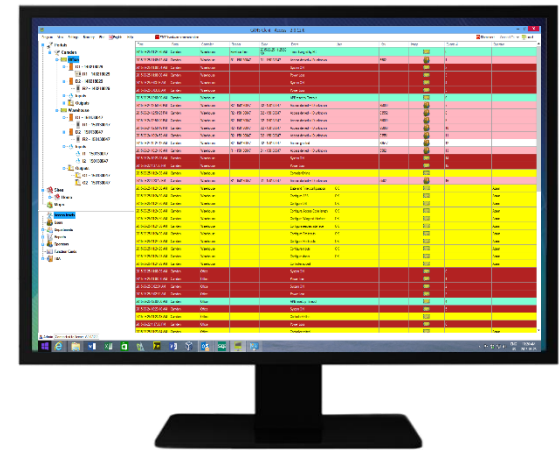
CV-354E (Expansion)

(2) RS485 controller, (1) 2 Amp power supply, (1) 40VA transformer, & metal cabinet

CV-350 Software

Free software to manage limitless number of sites, systems, controllers, devices and users!

- Windows® 7, 8, Vista, XP, Server 2003 & 2008 compatible
- Client-server software, multiple users can access database. Dongle required.
- Multiple language support
- Fully configurable interconnection logic of inputs, outputs and door sensors across network
- Built-in daylight savings time
- 24 time zones, 32 holidays and unlimited # of access levels
- Hard and timed anti-pass back, mantrap



CV-350 Software – Management Features



MANAGEMENT

- Manage user data, photos, custom data, access rights, alarms, strike times and door modes from a central location.
- Display of graphical site maps.

REPORTING

- Customized reports with filter for: time, user, department, reader or door.
- Send reports by email.
- Web reporting, no installation of software required.
- System logs all software changes
- 'Find User' feature allows operator to see the last known location of user.

CV-350 Software – Systems Integration



FIRE ALARM

- Integration with fire alarm systems
- Automatic evacuation report printing

INTRUSION ALARM

- Integration with intrusion alarm systems (contact inputs)



OTHER SYSTEMS

- (2) inputs and (2) outputs (per controller) can be configured to integrate the CV-350 to other building systems, including lighting or HVAC systems

CV-350 Software – Time & Attendance

BUILT-IN TIME & ATTENDANCE FUNCTIONALITY



- Included with free software
- Time & attendance calculation of:
 - Working hours
 - Overtime
 - Late arrival
 - Late from break
 - Early leave
 - Effective Hours
 - Holidays
- Multiple work shifts per user and/or user work group

CV-350 TWO & FOUR DOOR KITS



TWO DOOR KITS

CV-352-K1

CV-352 control panel & (2) CV-7400 AWID/HID prox. readers

CV-352-K2

CV-352 control panel & (2) CV-930-SL 'Designer' AWID/HID prox. readers

CV-352-K3

CV-352 control panel & (1) CV-940-SL biometric fingerprint reader

FOUR DOOR KITS

CV-354-K1

CV-354 control panel & (4) CV-7400 AWID/HID prox. readers

CV-354-K1

CV-354 control panel & (4) CV-930-SL 'Designer' AWID/HID prox. readers

CAMDEN CUSTOMER SUPPORT



Project Support

Our Technical Support group is ready to help with project specs, design support, project quotations and expedited delivery.



A Complete Solution

As an industry leader with thousand of high quality products, Camden is uniquely able to provide a turn-key project solution.



A Proven Record of Success

Camden is an ISO registered company with over 27 years of proven success in delivering the best products, at the right price.

Thank You!



DISCOVER THE BEST IN DOOR ACTIVATING AND LOCKING PRODUCTS!