

# CV-603EA MProXBLE External Antenna

## INSTALLATION INSTRUCTIONS

### THIS PACKAGE INCLUDES:

- 1- 433MHZ Antenna / 2.5m/8'2" coax cable / mounting bracket
- 2- Concrete anchors and screws - #8 x 1" Phillips Pan head screw
- 2- Wood anchors and screws- #10 X 1" Phillips Pan head screw
- 1- Installation manual



CV-603EA MPROXBLE EXTERNAL ANTENNA

### 1. GENERAL DESCRIPTION

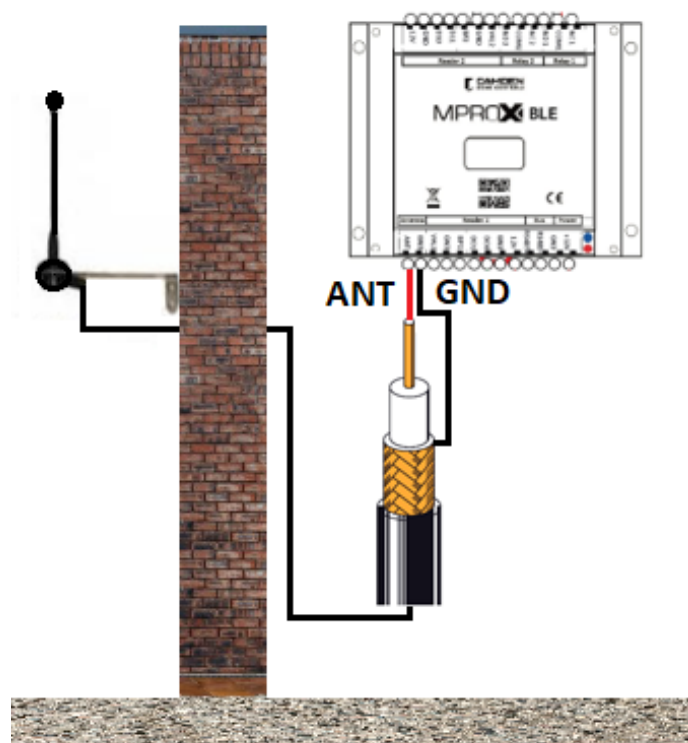
An external antenna option is available for the CV-603's built-in 433 MHz receiver when greater accessibility to the signal is needed, due to obstructions such as walls/floors or when the receiver is installed within a metal enclosure. The external antenna is matched for the receiver's 433MHz ¼ wave signal. When mounting the unit in such locations like behind a rebar re-enforced wall the CV-603's external antenna will provide signal accessibility by being able to locate the antenna up to 2.5m/8'2" away from the receiver. This will allow the antenna to be mounted on the outside of the metal enclosure or can be fed through a wall to have the antenna mounted on the outside of a building at a height that will provide a better unobstructed line of sight to the transmitter.

**Installation Note:** You must ensure that the extension cable is not creased or kinked in order not to bring in unwanted reflections or harmonics that may degrade the captured signal and affect performance.

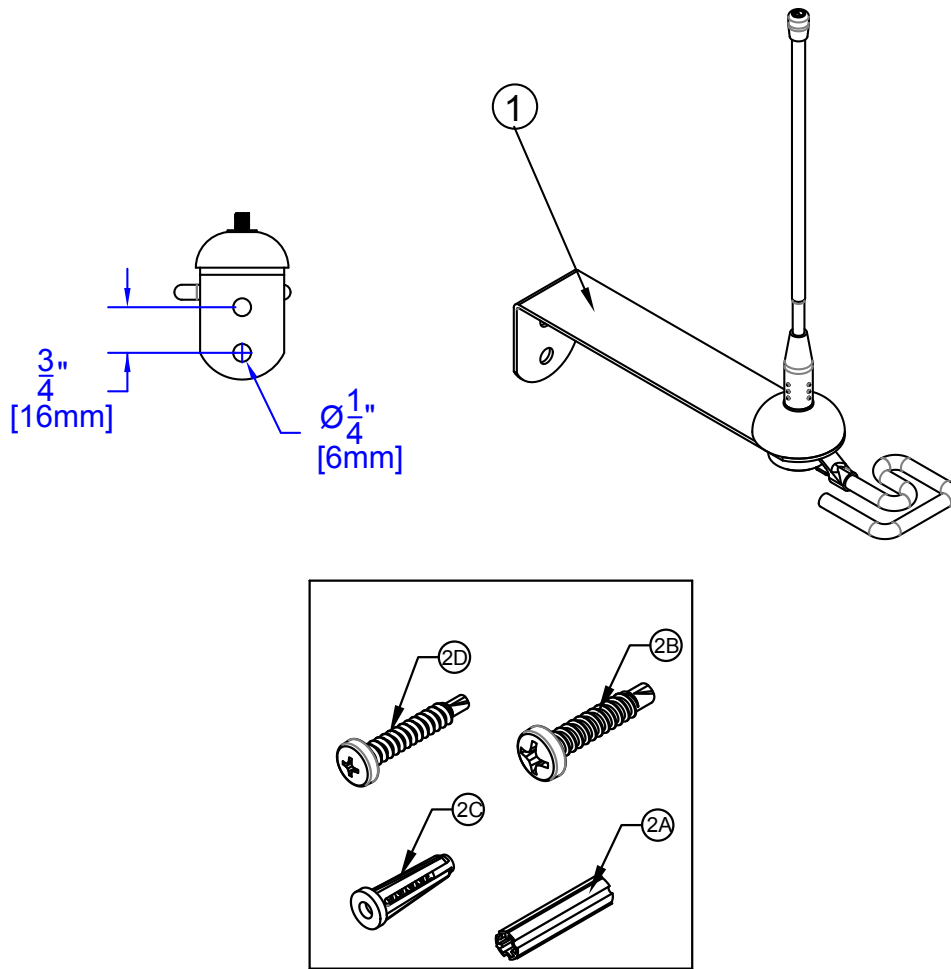
### 2. TWO PROCEDURES

**Cable Preparation:** The end of the cable must be stripped back to expose the solid center core conductor and the braided shield. On the antenna section of the CV-603 the solid center core conductor will be wired into the terminal marked as "ANT" and the braided shield will be wired to the "GND" terminal.

**Antenna Wiring Connections:** The solid center core conductor will be wired into the terminal marked as "ANT" and the braided shield will be wired to the "GND" terminal on the antenna section of the CV-603.



### 3. PARTS INFORMATION



MODEL NUMBERS			
ITEM NUMBER	MODEL NUMBER	QTY	DESCRIPTION
1.	60-14S001	1	EXTERNAL ANTENNA FOR MProxBLE
PARTS KIT			
ITEM NUMBER	PART NUMBER	QTY	DESCRIPTION
2.	60-34B101	1	(A) EXPANDET GREEN PVC ANCHORS 10-24 SCREW (2 PCS) (B) #10 X 1" PAN HEAD PHILLIPS WOOD SCREW (2 PCS) (C) YELLOW/GREY PLASTIC 3/16" ANCHOR (2 PCS) (D) #8 X 1" PHILLIPS PAN HEAD SCREW (2PCS)