

Magnetic Door Holders

CX-DH-LBRK Floor Door Hold Bracket

INSTALLATION INSTRUCTIONS

THIS PACKAGE INCLUDES:

- 1 - Floor Door Hold Bracket
- 4 - #8 x 1-1/2" Screws
- 4 - M5 x 16mm Screws
- 4 - Anchors
- 4 - M5 x 6mm Screws
- 1 - Installation Instructions
- 2 - 1/4" x 3-1/4" Steel Stud Anchors



1. GENERAL DESCRIPTION

The Camden CX-DH-LBRK Floor Door Hold Bracket is an angle bracket mounting accessory that allows the CX-955-DH Magnetic Door Holder to mount on any type of floor.

2. SPECIFICATIONS

Dimensions	4-1/2" W x 3-9/16" L x 1-3/4" D (114.0mm x 90.2mm x 44.1mm)
Mounting Orientation	<ul style="list-style-type: none"> • Inside: Door Holder installed on the side of the Floor Door Hold Bracket mounting base • Outside: Door Holder installed opposite the side of the Floor Door Hold Bracket mounting base.

3. DIMENSIONS

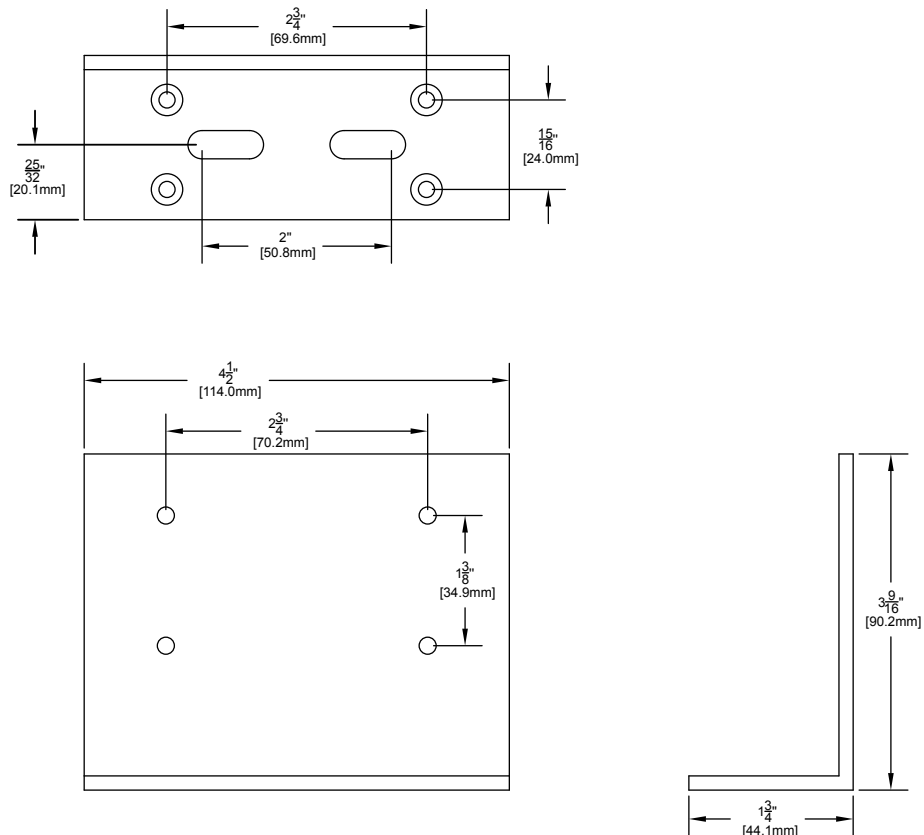


Figure 3.1 Dimensions

CX-DH-LBRK Floor Door Hold Bracket

INSTALLATION INSTRUCTIONS

4. INSTALLATION

Preparation:

1. Drill a hole in the center of the long side of the Floor Door Hold Bracket between the four (4) threaded M5 holes where the Magnetic Door Holder mounts. This hole must align directly with the slotted hole of the Door Holder back box for the connecting wires to pass through, and its size should match the conduit pipe (Maximum 1/2 Conduit Pipe Size). (Figures 4.1, 4.2 and 4.5)
2. Determine the location for the Floor Door Hold Bracket with reference to the Magnetic Door Holder and Armature Plate locations. (Refer to: **CX-95S-DH Magnetic Door Holder Installation Instructions**) Note: The Door Holder can be installed (inside) on the side of the Floor Door Hold Bracket's mounting base or (outside) on the opposite side of the Floor Door Hold Bracket's mounting base. (Figure 4.2 and 4.3)
3. Proceed to Step 4 to 6 if mounting the bracket on a concrete floor or Step 7 to 9 if mounting on a wooden floor.

Wire Connection Hole Location on Floor Door Hold Bracket
(Maximum 1/2 Conduit Pipe Size)
Front/Rear View Profile

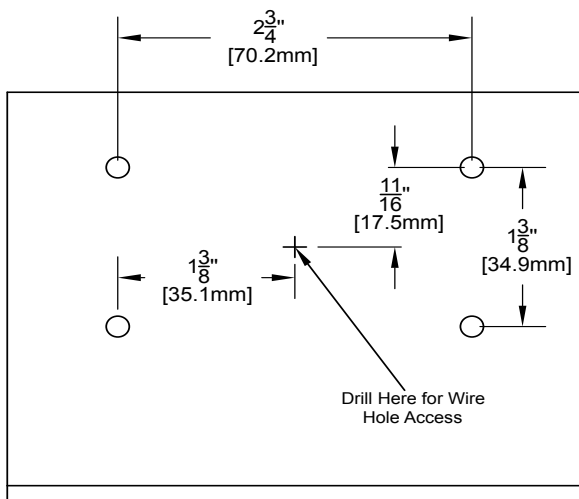


Figure 4.1 Preparation

Concrete floor installation: (Figure 4.3)

4. Mark the positions on the concrete floor matching the two (2) slotted mounting holes on the base of the Floor Door Hold Bracket.
5. Drill holes at the marked positions for the 1/4" x 3-1/4" steel stud anchor bolts. **Important: The drilled hole depth must ensure the anchored bolts do not touch the installed Magnetic Door Holder if oriented inside (Figure 4.4).**
6. Fasten the Floor Door Hold Bracket to the floor with the two (2) sets of anchors, bolts and nuts.

Wood floor installation: (Figure 4.3)

7. Mark the position corresponding the four (4) mounting holes for the #8 x 1-1/2" screws on the base of the Floor Door Hold Bracket.
8. Drill pilot holes (or anchor holes) at the marked positions for #8 x 1-1/2" screws.
9. Fasten the Floor Door Hold Bracket to the floor with the four (4) screws.

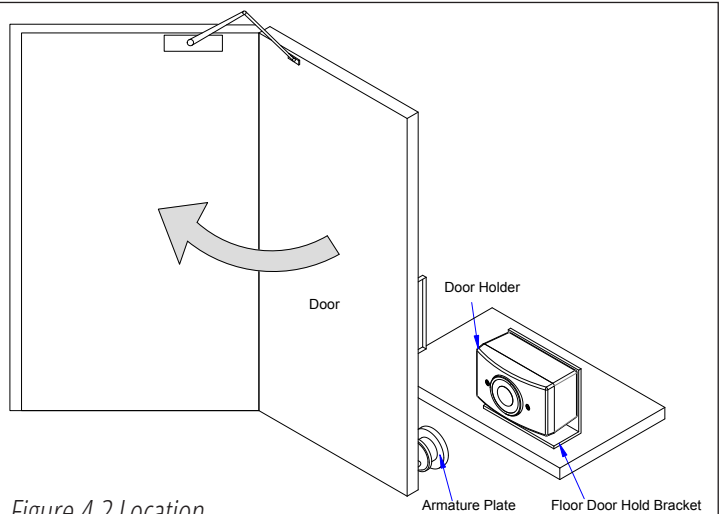
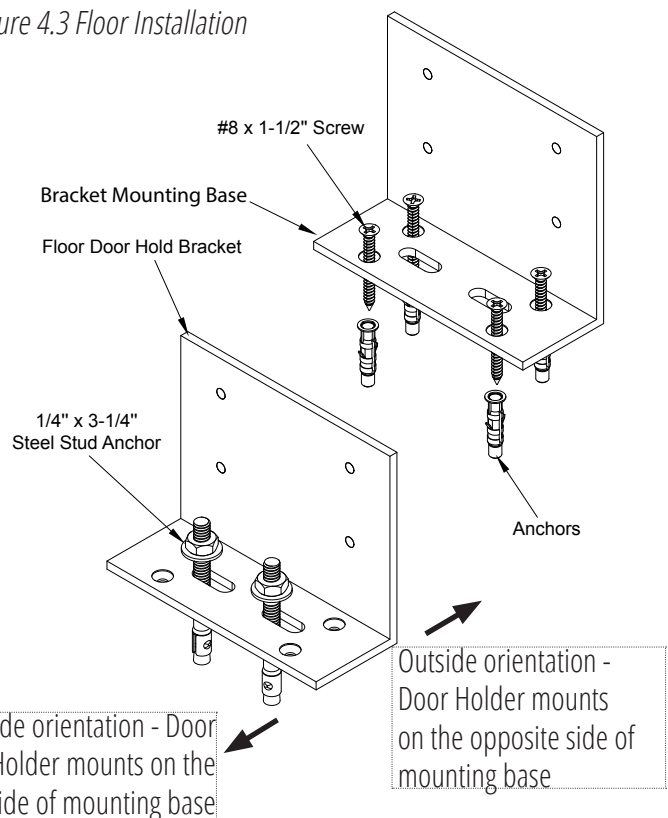


Figure 4.2 Location

Figure 4.3 Floor Installation



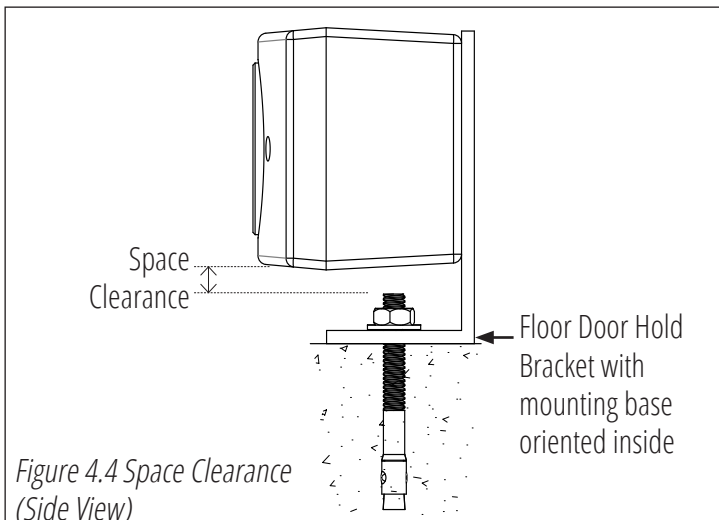


Figure 4.4 Space Clearance (Side View)

Important Note:

Space clearance between concrete anchor bolt and Magnetic Door Holder: Ensure the fastened concrete bolt anchors do not touch the installed Magnetic Door Holder.

Affix the Magnetic Door Holder to the Floor Mount Bracket:

10. Align the Magnetic Door Holder back box with the four (4) threaded M5 holes on the Floor Door Hold Bracket and let the connecting wires pass through the center hole. (Figure 4.5)
11. Fasten the Magnetic Door Holder back box to the Floor Door Hold Bracket with the four (4) M5 screws.

Magnetic Door Holder installation:

12. Refer to CX-955-DH Magnetic Door Holder Manual for instructions to proceed with the Magnetic Door Holder and Armature Plate installation.

Important Note:

Wiring connection: Insert and pass the connecting wires through the center hole of the attached Magnetic Door Holder back box and the Floor Door Hold Bracket.

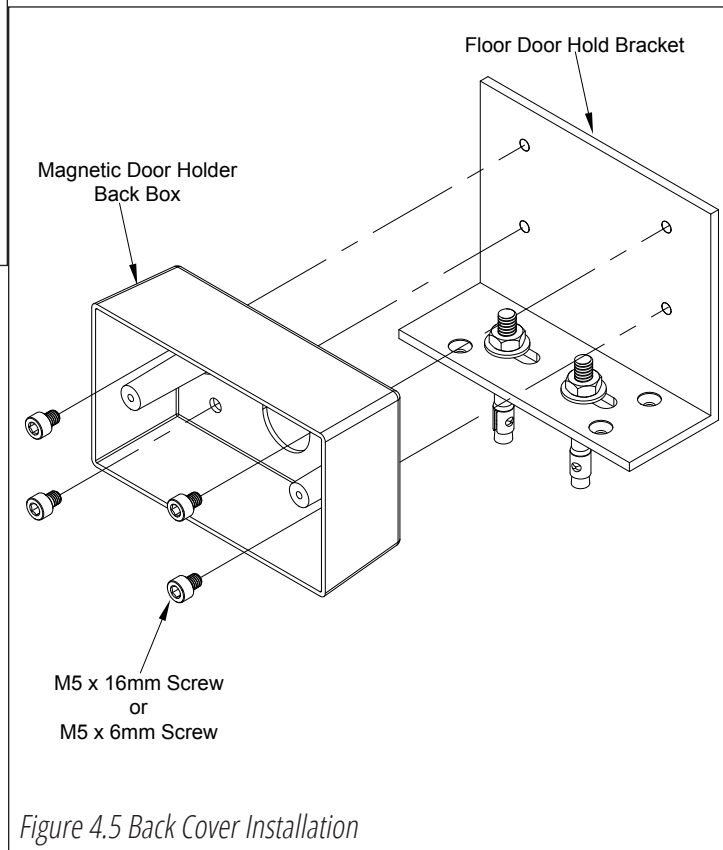


Figure 4.5 Back Cover Installation

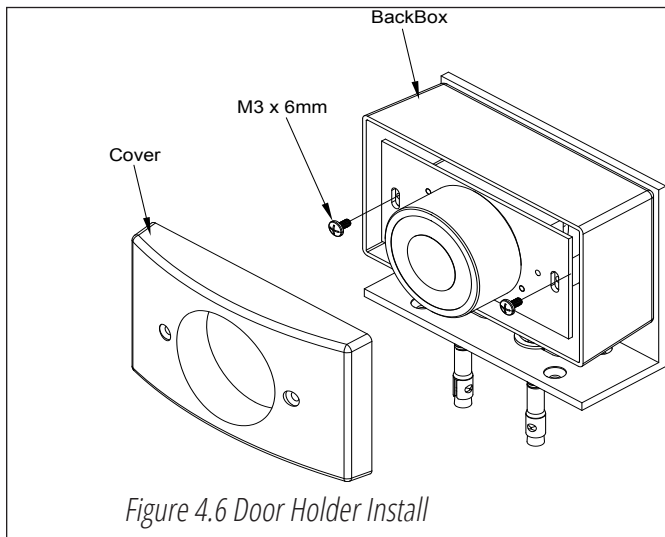


Figure 4.6 Door Holder Install

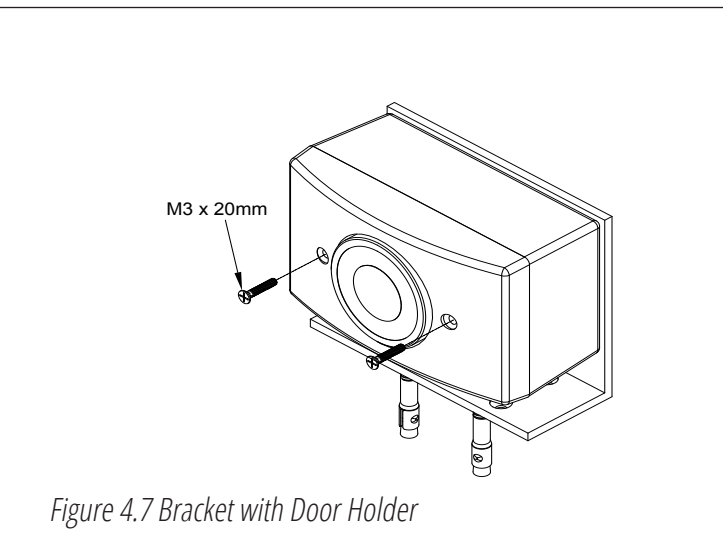


Figure 4.7 Bracket with Door Holder