

Aura™ Series Illuminated Push Plate Switch Enclosures



Camden's Aura™ Illuminated Push Plate Switches lead the way in versatility and performance!

Aura™ Illuminated Surface & Flush Square, and Flush Round push plate switch kits provide high visibility and enhanced user convenience while ensuring your facility's automatic door controls are compliant with local and federal accessibility requirements.

Camden's Aura™ Series push plate switches are available in a selection of red, green or blue illumination switches, incorporates an audible sounder, and Form 'C' contacts allowing for highly accessible convenient means of door activation.

Features

- Illuminated Surface and Flush mounting boxes, compatible with Camden CM-45 & CM-46 4 1/2" Square and CM-40 4 1/2" round push plate switches.
- High efficiency LED technology
- Improves switch visibility, even in daylight.
- Selectable 12 or 24V AC/DC.
- Flame and impact resistant construction.
- Selectable red/green/blue illumination color (CM-54 and CM-55 square models).
- Change of color activated directly (by switch), or remotely (by control relay or access control system)
- Audible (sounder) confirmation of switch activation (selectable 'On' / 'Off').
- 3 year warranty.



SPECIFICATIONS

VOLTAGE:	12V or 24V AC/DC
CURRENT DRAW:	130mA
LUMINA:	RED: 5760 MCD, GREEN: 3780 MCD, BLUE: 1500 MCD
CONTACT TYPE:	1 Form 'C'
CONTACT RATING:	3 Amps @ 24V AC/DC
DIMENSIONS:	CM-54i: 5 1/4" W x 5 1/4" W x 2" D (133mm x 133mm x 51mm) CM-55i: 6 1/2" W x 6 1/2" H x 2" D (165mm x 165mm x 51mm) CM-57GRB: 6 5/8" DIA. x 2" D (168mm x 51mm)

AURA™ ILLUMINATED MODELS

CM-54i	Surface Mount, 4 1/2" Square Aura™ Illuminated Red/Green/Blue Push Plate Switch
CM-55i	Flush Mount, 4 1/2" Square Aura™ Illuminated Red/Green/Blue Push Plate Switch
CM-57GR	Flush Mount, 4 1/2" Round Aura™ Illuminated Red/Green/Blue Push Plate Switch

AURA™ ILLUMINATED SWITCH KITS - SURFACE MOUNT

CM-45/X54	4 1/2" Square Push Plate Switch (Concealed Screws)
CM-46/X54	4 1/2" Square Push Plate Switch (Exposed Screws)

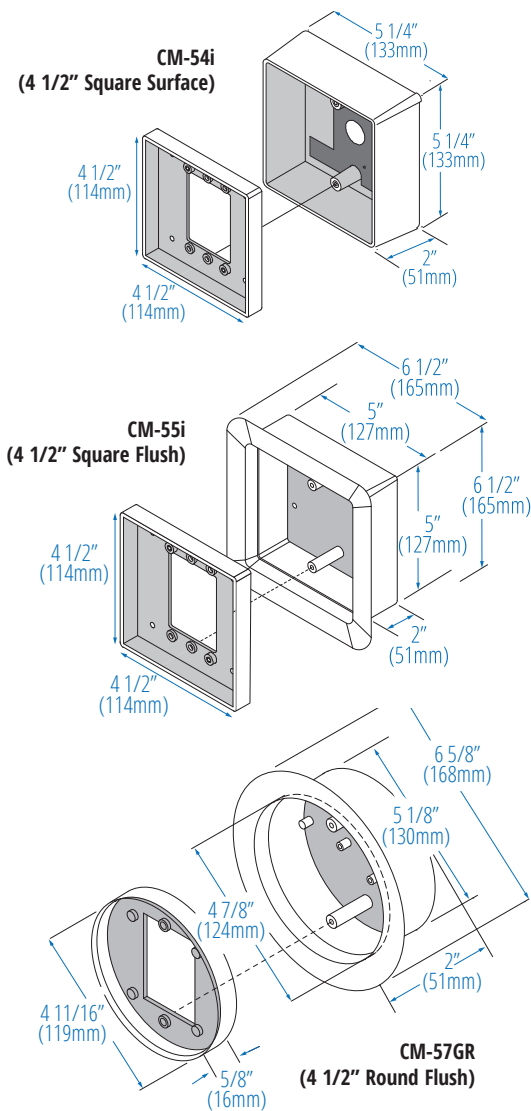
AURA™ ILLUMINATED SWITCH KITS - FLUSH MOUNT

CM-40/XGRF	4 1/2" Round Push Plate Switch (Concealed Screws)
CM-45/X55	4 1/2" Square Push Plate Switch (Concealed Screws)
CM-46/X55	4 1/2" Square Push Plate Switch (Exposed Screws)

OPTIONAL SIGNAGE

/SE1	English, for CM-54 SQUARE SURFACE illuminated mounting box. Double sided sign: 'DOOR LOCKED WHEN RED' / 'UNLOCKED WHEN GREEN' and 'OCCUPIED WHEN RED' / 'VACANT WHEN GREEN'.
/SF1	French, for CM-54 SQUARE SURFACE illuminated mounting box. Double sided sign: 'PORTE BARRÉE' / 'PORTE DÉBARRÉE' and 'OCCUPÉ' / 'LIBRE'.
/SFE1	English, for CM-55 SQUARE FLUSH illuminated mounting box. Double sided sign: 'DOOR LOCKED WHEN RED' / 'UNLOCKED WHEN GREEN' and 'OCCUPIED WHEN RED' / 'VACANT WHEN GREEN'.
/SFF1	French, for CM-55 SQUARE FLUSH illuminated mounting box. Double sided sign: 'PORTE BARRÉE' / 'PORTE DÉBARRÉE' and 'OCCUPÉ' / 'LIBRE'.
/FRE1	English, for CM-57 ROUND FLUSH illuminated mounting box. Double sided sign: 'DOOR LOCKED WHEN RED' / 'UNLOCKED WHEN GREEN' and 'OCCUPIED WHEN RED' / 'VACANT WHEN GREEN'.
/FRF1	French, for CM-57 ROUND FLUSH illuminated mounting box. Double sided sign: 'PORTE BARRÉE' / 'PORTE DÉBARRÉE' and 'OCCUPÉ' / 'LIBRE'.

DIMENSIONS



FACEPLATE GRAPHIC OPTIONS

Stock graphic options for CM-40, CM-45 and CM-46 push plate kits at no extra cost: /1, /2, /3, /4, /8



CM-xx/2



CM-xx/3



CM-xx/4



CM-xx/8

Refer to catalog or web-site for additional cost of other stock graphic options. Contact Camden customer service for custom graphics.

CONTACTS

DPDT	DPDT switch contacts cannot be used with Aura™ Illuminated switches. If required, use CX-IRB relay.
-------------	---



Opening New Doors to
Innovation, Quality and Support!

5502 Timberlea Blvd. Mississauga, ON Canada L4W 2T7 • Toll Free: 1 877 226-3369 (CAMDEN9)
Tel: (905) 366-3377 • Fax: (905) 366-3378 • E-mail: info@camdencontrols.com • www.camdencontrols.com



Part #: MKTG-LIT-SP-AURASeries