

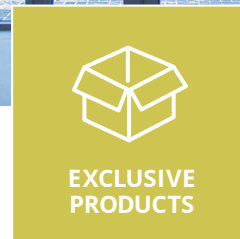
# CM-9800 Series Surface Mount LED Illuminated Push/Exit Switches



Camden Door Controls CM-9800 Series surface mount capacitive touch switches, with LED illumination, are vandal and weather resistant with an IP 66 rating. The units feature a cast metal design and an adjustable 0-60 second relay timer.

The CM-9800 has an external input, so that the switch illumination may be activated by either the switch status or the door (locked) status.

The large surface area of the capacitive switch is easy to activate, with only a light touch, and the large LED illumination enables the switch to be highly visible in all lighting conditions.



## Features

- Capacitive Touch Technology
- APA and ROHS Compliant
- Weather and Vandal Resistant
- Large LED Light Ring, Red/Green/Orange/None
- Switch or Door Status Illumination (External Input)
- 'Hold Open' Relay Timer, Selectable 0-60 seconds
- Heavy Duty 2 Amp Contacts, Form 'C'
- Tamper Alarm, Selectable On/Off
- 12-24V AC/DC



## Applications

CM-9800 series illuminated capacitive touch switches are designed for use where high visibility and vandal resistance is required.

They are ideal for use as 'Request to Exit' switches in access control applications, as well as for activation of automatic door operators, where permitted by building code.

CM-9800 series switches may also be used for other door control or equipment switching applications.

## Architect / Engineer Specifications

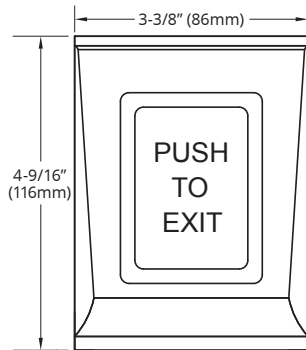
'Push to Exit' or 'Push to Open' switches used throughout the site, or complex shall be model CM-9800/7 or CM-9800/3 surface mount illuminated switches with capacitive touch activation, LED illumination, and built-in 0 to 60 second relay timer.

The illuminated capacitive touch 'Push to Exit' switches shall be all metal design, with high viability, weather and vandal resistance LED illumination shall be selectable red, green or orange and controlled by the switch activation or remote input, including door lock status. The units shall also offer 12-24V AC/DC operation and Form 'C' contacts (NO or NC) rated 2 Amps @ 24 VDC.

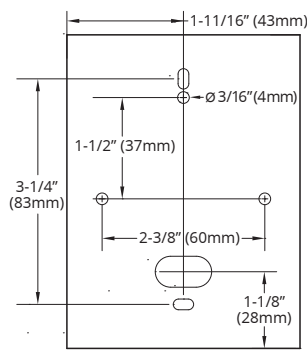
## SPECIFICATIONS

INPUT VOLTAGE:	12V to 24V AC/DC	BACKLIGHT ON/OFF:	Yes, by Dip Switch
CURRENT DRAW:	Max. 65mA	BUZZER ON/OFF:	Yes, by Dip Switch
RELAY OUTPUT:	2A @ 24 VDC or 120 VAC	OPERATING TEMPERATURE:	-4°F to 122°F (-20°C to 50°C)
SET RELAY TIME:	0.5 to 60 seconds or toggle (ON/OFF)	HOUSING:	Die-Cast Aluminum Alloy
INDICATORS-LED:	Orange, Red, Green	PROTECTION:	IP66
LED CONTROL:	Yes, by Dip Switch	DIMENSIONS:	3-3/8" W x 4-9/16" H x 13/16" D (86mm x 116mm x 21mm)
TAMPER:	Yes		

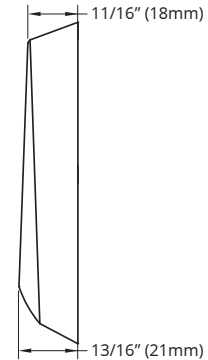
## DIMENSIONS



FRONT VIEW



BACK VIEW



SIDE VIEW

## ORDERING INFORMATION

### CM-9800 Series Models



#### CM-9800/7

Illuminated Capacitive Surface Mount Push to Exit Switch, 'Push to Exit' Black



#### CM-9800/3

Illuminated Capacitive Surface Mount Push to Open Switch, 'Push to Open' Black