

Electrified Locks, Relays and Timers

CX-EPD0009 Magnetic Cabinet Lock

INSTALLATION INSTRUCTIONS

THIS PACKAGE INCLUDES:

- | | |
|---|--------------------------------------|
| 1 x Strike Plate | 4 x m3 x 25mm socket head cap screws |
| 1 x Electromagnet Lock | 1 x Hex Key |
| 4 x ST3.5 x 19mm Phillips head self-drilling screws | 1 x Installation Instruction |



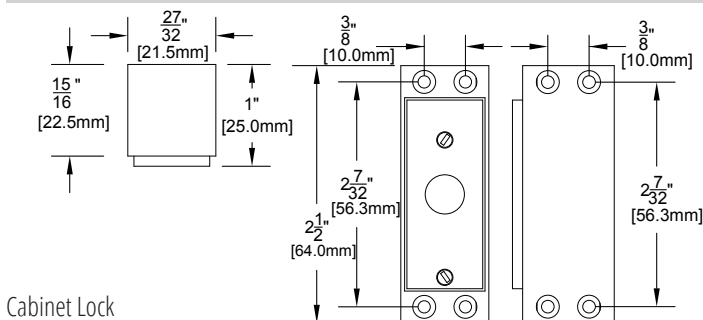
1. GENERAL DESCRIPTION

CX-EPD0009 Magnetic Cabinet Lock has an ultra-compact design and is an easily installed high-security lock for virtually any enclosure door, including computer cabinets, refrigerators, lockers, and retail display counters. This 12V or 24V magnetically operated lock has a holding force of 600 lbs. and is water-resistant, making it ideal for humid environments, including inside freezers.

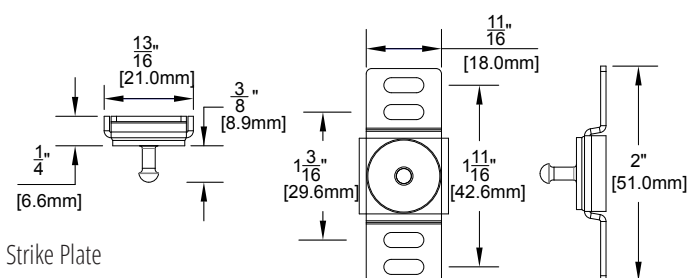
2. SPECIFICATIONS

Power Input	12 VDC/24 VDC
Current Draw	60mA@12VDC, 110mA@24V DC
Static Strength	440 Lbs. (200 kg) (Holding Force)
Endurance	250,000 Cycles
Preload	5 Lbs. (2.3 kg)
Temperature Rating	-4°F to 140°F (-20°C to 60°C)
Operation Mode	Fail-Safe
Installation Options	Front Mount, Side Mount
Dimensions	2-1/2" (H) x 27/32" (W) x 1-1/4" (D) 64mm (H) x 21.5mm (W) x 31.6mm (D)

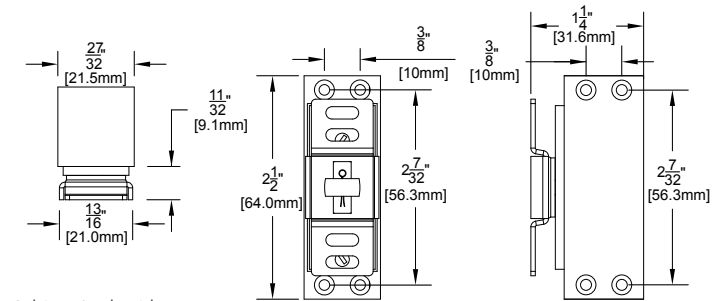
3. DIMENSIONS



Cabinet Lock



Strike Plate



Cabinet Lock with Strike Plate

Figure 3.1 Dimensions

4. INSTALLATION

- Mounting Options:** The CX-EPD0009 can be mounted either from the front or the side, depending on your application requirements; See figure 4.2 (a) and (b).
- Alignment:** Properly align the strike plate pin with the cabinet lock hole.
- Marking Locations:** Once aligned, mark the positions for the strike plate on the cabinet door, and for the electromagnet lock on the cabinet body.

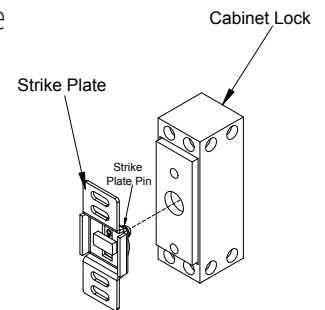


Figure 4.1 Alignment

- Drilling:**
 - For the cabinet body: Use a #38 (3/32", 2.578mm) drill bit for drilling. Follow with an M3 x 0.5 tap.
 - For the cabinet door: Drill pilot holes as needed. Note: Pilot holes should not exceed Ø 2.0mm in diameter.
- Securing Components:**
 - Attach the strike plate with four ST3.5 x 19mm Phillips round head self-drilling screws.
 - Affix the cabinet lock with four m3 x 25mm socket head cap screws provided. Do not fully tighten them at this point.
- Adjustment & Final Tightening:** Verify the alignment. If necessary, the strike plate can be adjusted horizontally as well as vertically. Once satisfied, tighten all screws securely.

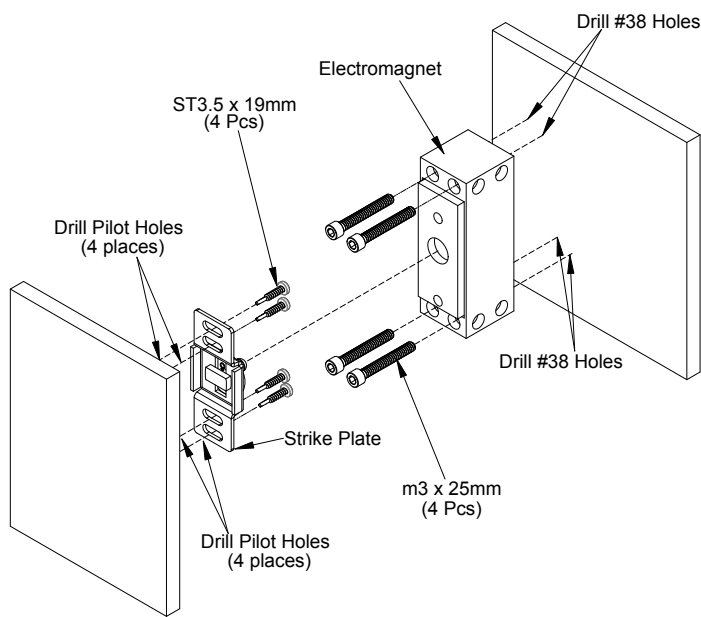


Figure 4.2 (a) Front Mounting

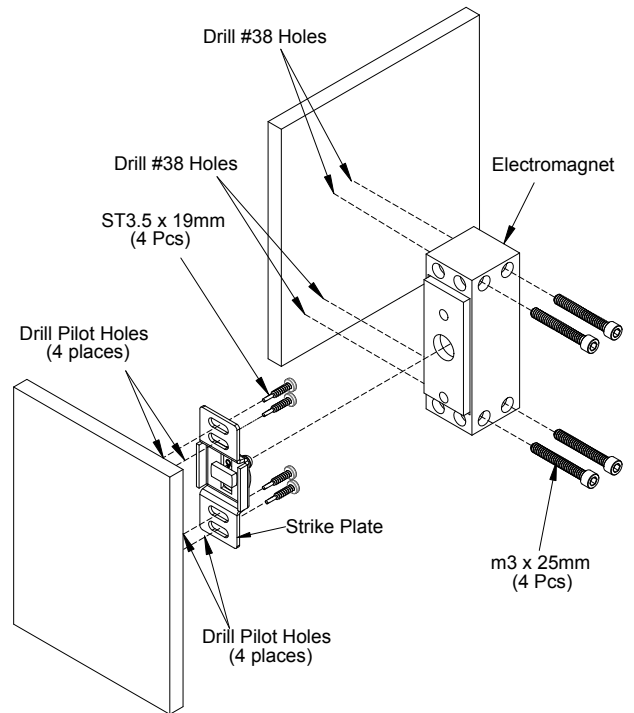


Figure 4.2 (b) Side Mounting

5. WIRING

For the proper functioning of the CX-EPD-0009 Fail Safe Cabinet Lock, ensure that the wiring is done accurately. Follow the instructions below:

Power Connection Wiring:

1. Connect the RED (+) wire to the positive terminal.
2. Connect the BLACK (-) wire to the negative terminal.

Door Closure Sensor Wiring: (CLOSED POSITION)

1. ORANGE (Common, C)
2. GREY (Normally Closed, NC)
3. WHITE (Normally Open, NO)

Ensure that the current does not exceed 60mA @12 VDC or 110mA @ 24 VDC for the door closure sensor.

After wiring, always test the lock to confirm it operates as expected.

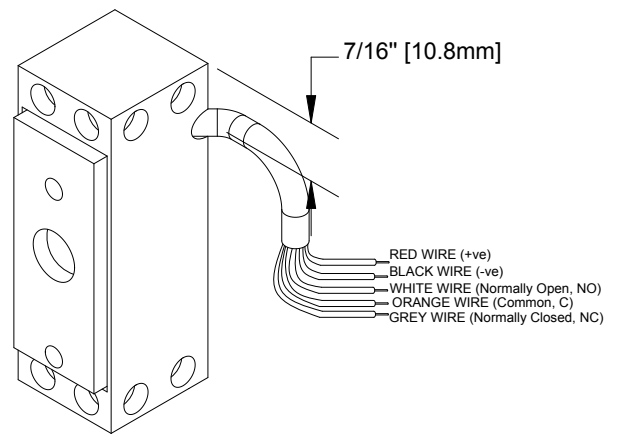


Figure 5.1 Wiring

6. ACCESSORIES (OPTIONAL)

Camden also offers optional L&Z brackets. These professional-grade L&Z brackets provide an ideal solution for mounting CX-EPD0009 cabinet locks on in-swinging, single doors. The L bracket is designed for attaching the magnet to the door frame's face when header space is unavailable. The Z bracket allows for horizontal adjustment of the strike plate.

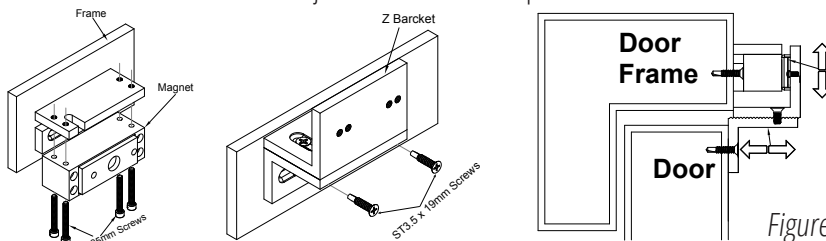


Figure 6.1 L&Z Brackets Installation