

CV-945

STAND ALONE BIOMETRIC FINGERPRINT READER



CV-945

FEATURES

- UP TO 100 FINGERPRINTS: 97 USERS AND 3 FOR PROGRAMMING
- COMPACT AND ELEGANTLY DESIGNED. AVAILABLE IN METALLIC SILVER AND CHARCOAL GRAY FINISHES
- VANDAL RESISTANT CAST ALUMINUM HOUSING
- SWIPE CAPACITIVE SENSOR
- NO SOFTWARE REQUIRED. PROGRAM MASTER, USER GROUPS AND ADD/DELETE USERS WITH FINGER TAP/SWIPES ONLY
- (1) RELAY, 1 AMP @ 24V AC/DC
- (1) REX INPUT
- 3 COLOR STATUS INDICATION (READY, ACCESS GRANTED AND ACCESS DENIED)
- SURFACE MOUNT, SINGLE GANG MOUNTING PLATE ALSO PROVIDED
- HIGH SECURITY OPTION WITH SECURE AREA RELAY, WITH CONNECTION OF PIEZO-ELECTRIC PUSH BUTTON
- SELECTABLE 1 TO 60 SECOND OR TOGGLE (ON/OFF) TIMER
- 3 YEAR 'CAMDEN TOUGH' WARRANTY
- OPTION FOR RAIN COVER REQUIRED FOR OUTDOOR INSTALLATIONS

DESCRIPTION

CV-945 is a compact one door stand-alone fingerprint reader featuring a cast aluminum housing with a choice of metallic silver and charcoal gray architectural finishes. The capacitive reader can store up to 100 fingerprints and no computer is required to enroll or delete users. CV-945 provides (1) Form 'C' contact, and an interface for connection of a secure area relay (preventing access to the door control circuit). The unit can be surface mounted, or mounted to flush single gang electrical box, with color matched plate, supplied.

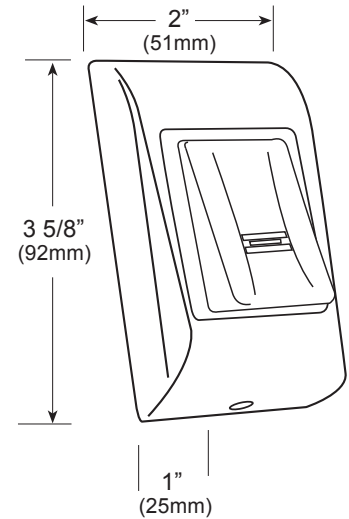
APPLICATIONS

CV-945 stand-alone fingerprint readers are ideal for small access control projects, providing a much more secure and convenient access device compared to proximity cards and keypads. CV-945 stand-alone fingerprint readers provide an affordable and reliable access solution for professional offices, daycare, assisted living residences, retail stores, commercial offices and executive homes.

STAND ALONE BIOMETRIC FINGERPRINT READER

SPECIFICATIONS

SENSOR TYPE:	CAPACITIVE
USERS:	97 (PLUS 1 MASTER, 2 ADMIN)
MOUNTING:	SURFACE OR ON SINGLE GANG BOX
VOLTAGE:	9 – 14VDC
INPUT:	(1) REX INPUT
OUTPUT:	(1) FORM 'C'
OUTPUT RATING:	1 AMP @ 24V AC/DC
INTERFACE:	RS485 TO REMOTE RELAY
PROGRAMMING:	WITH FINGERS
TIMER:	1 TO 60 SECONDS TOGGLE (ON/OFF)
BACKLIGHT:	ON/OFF
SOUNDER:	ON/OFF
CURRENT DRAW:	100MA
TEMP RATING:	-4°F TO 122°F (-20°C TO 50°C)
IP RATING:	IP40
DIMENSIONS:	3 5/8" H x 2" W x 1"D (92mm x 51mm x 25mm)
WARRANTY:	3 YEARS



CV-945

ORDER INFORMATION

(ADD SUFFIX TO MODEL NUMBER ABOVE)

CV-945:	STAND-ALONE BIOMETRIC FINGERPRINT READER
CV-945SH:	STAND-ALONE BIOMETRIC FINGERPRINT READER AND REMOTE RELAY (PUSH BUTTON)

OPTIONS AND FINISHES

-SL:	ADD SUFFIX 'SL' TO MODEL # FOR METALLIC SILVER FINISH
-CH:	ADD SUFFIX 'CH' TO MODEL # FOR METALLIC CHARCOAL GRAY FINISH
CV-940MCP:	COVER FOR BIOMETRIC FINGERPRINT READER, REQUIRED FOR OUTDOOR INSTALLATIONS