

LED ANNUNCIATOR PLATES

SINGLE GANG LED PLATES



CX-LED1/50



CX-LED2/57

FEATURES

- STOCK LED ANNUNCIATOR PLATES FOR A WIDE RANGE OF APPLICATIONS
- SUPER BRIGHT LONG LIFE LED'S
- SINGLE GANG, HEAVY GAUGE, STAINLESS STEEL FACEPLATES
- LASER ETCHED TEXT CANNOT BE SCRATCHED OR WORN OFF
- CUSTOM TEXT/GRAPHICS AVAILABLE UPON REQUEST

DESCRIPTION

Camden Door Controls CX-LED Series single gang LED annunciators are designed to provide an affordable means of communicating messages to building occupants. When illuminated, the 1/2" super bright LEDs (red or green) are highly visible. A range of graphic texts, laser etched on the faceplate, are permanently marked and will not fade or wear off.

APPLICATION

CX-LED series single gang LED annunciators are vandal and weather resistant and have been specifically designed to communicate messages to building occupants under changing conditions (i.e. when a restroom door is electrically locked or there is a system alarm/trouble). Field selectable 12V or 24V DC operation allows the sign to be used in a variety of applications, including automatic door, access control and other low voltage systems.

ARCHITECTS/ENGINEERS SPECIFICATION

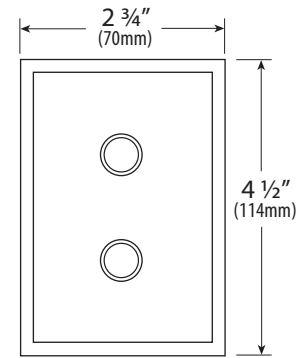
The single gang, LED annunciators to be used throughout the site/complex shall be Camden Door Controls model CX-LED.

The faceplate shall be constructed of heavy gauge stainless steel and shall have one or two 1/2" (12.5mm) green/red LEDs. The faceplate shall be laser etched with graphic text required for the application. For installation outdoors, the face of the units shall be sealed and mounted to the electrical box utilizing a weatherproof rubber gasket. The unit shall be supplied with stainless steel Torx or snake eye security screws.

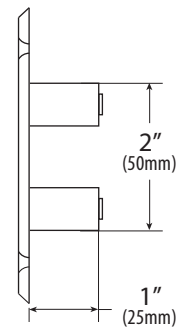
The LED illuminated annunciators shall be 12V or 24V DC.

SPECIFICATIONS

VOLTAGE:	12/24V AC/DC
CURRENT DRAW:	7 mA @ 12V, 17 mA @ 24V (EACH LED)
DIMENSIONS:	4 1/2" H x 2 3/4" W x 1 1/2" D (114mm x 70mm x 38mm)



FRONT VIEW



SIDE VIEW

ORDERING INFORMATION

MODELS

CX-LED1:	SINGLE GANG, LED, BLANK, 12/28 VDC
CX-LED2:	SINGLE GANG, 2 LEDS, BLANK, 12/28 VDC
CX-AFLED1SO:	SINGLE GANG, 1 RED LED, 'ASSISTANCE REQUESTED WHEN LIT', SOUNDER. COMPLETE MODEL, NO OPTIONS

OPTIONS: LED OPTIONS

CM-R:	ADD 'R' TO MODEL NUMBER FOR RED LED, MOUNTED IN FACEPLATE
CM-G:	ADD 'G' TO MODEL NUMBER FOR GREEN LED, MOUNTED IN FACEPLATE
CM-RG:	ADD 'RG' TO MODEL NUMBER FOR (1) RED LED AND (1) GREEN LED, MOUNTED IN FACEPLATE

FACEPLATE GRAPHIC OPTIONS: CX-LED1

CX-XXX/50:	ADD /50 TO MODEL # FOR 'OCCUPIED'
CX-XXX/51:	ADD /51 TO MODEL # FOR 'OCCUPIED WHEN LIT'
CX-XXX/52:	ADD /52 TO MODEL # FOR 'DOOR LOCKED WHEN LIT'
CX-XXX/53:	ADD /53 TO MODEL # FOR 'ASSISTANCE REQUIRED'
CX-XXX/54:	ADD /54 TO MODEL # FOR 'IN USE'

FACEPLATE GRAPHIC OPTIONS: CX-LED2

CX-XXX/55:	ADD /55 TO MODEL # FOR 'OCCUPIED' / 'VACANT'
CX-XXX/56:	ADD /56 TO MODEL # FOR 'DOOR LOCKED' / 'DOOR UNLOCKED'
CX-XXX/57:	ADD /57 TO MODEL # FOR 'ARMED' / 'DISARMED'