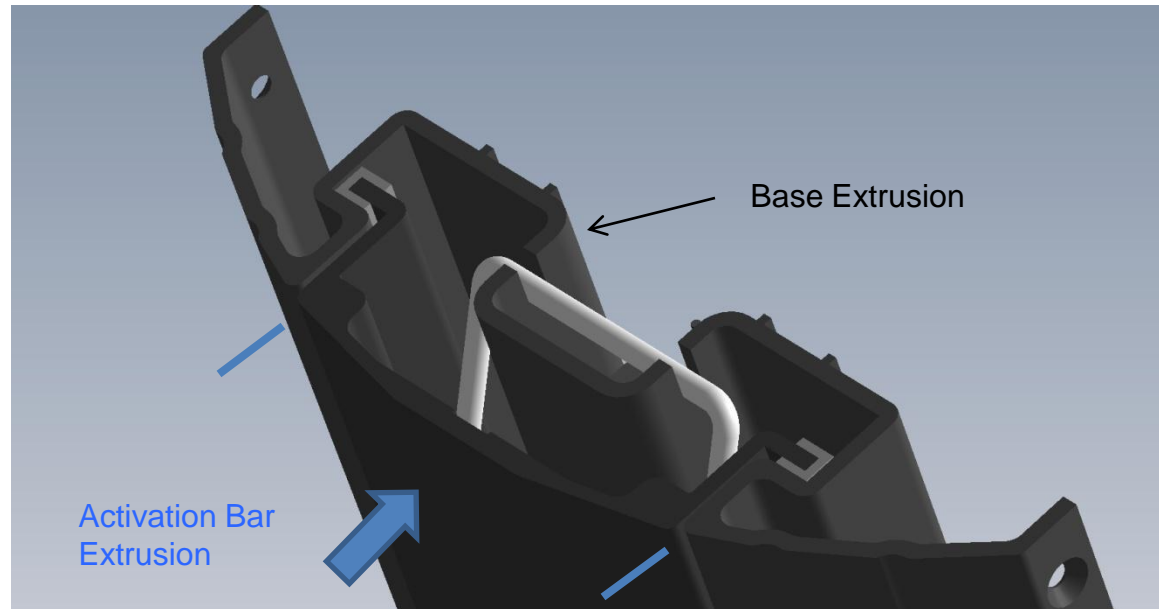




Leading the Industry with  
A New Class of Door Activation

## CM-75 SERIES PUSH PLATE SWITCHES

# Switch Activation



ADA compliant switch activation over the entire 36" length. Over 94 square inches of activation area. Easy activation from any angle.

# Switch Activation



## Activate by Hand

A new alternative for ADA compliant push plates at standard mounting height.



## Activate by Arm/Body

A new level of convenient door activation in high traffic applications.

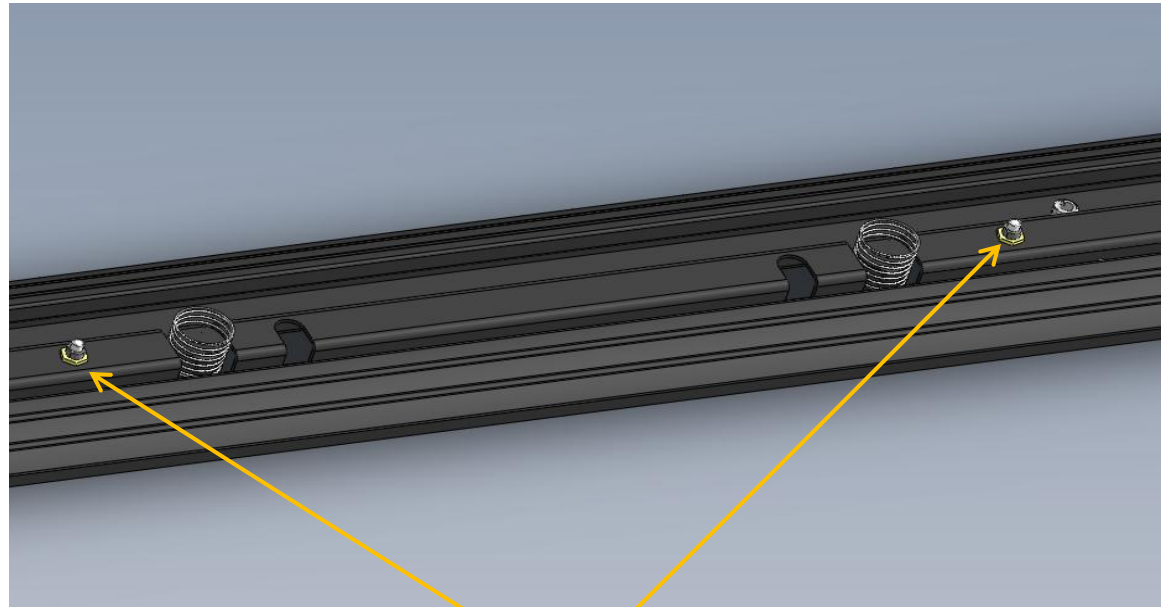


## Activate by Foot

Meets or exceeds the new California building code requirement for a second push plate at 3" height.



# Switch Activation

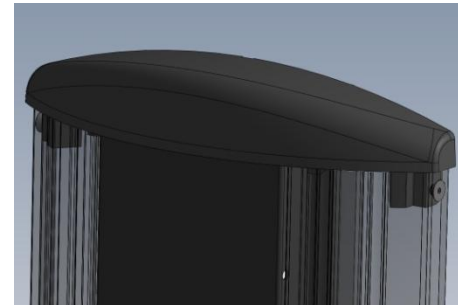


The only push plate that has (2) redundant UL listed internal switches with heavy duty 15 Amp. SPDT Form 'C' contacts

# Easy Installation



End cap quickly removed  
for installation and service



No tools required to service  
Wireless TX and batteries

Threaded leveling screws for  
mounting on uneven wall  
surfaces



# Sizes & Finishes



## Clear Aluminum



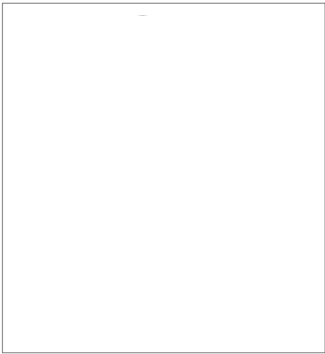
**CM-7509** 9" Length  
**CM-7536** 36" Length

## Dark Bronze



**CM-7536/BZ** 36" Length

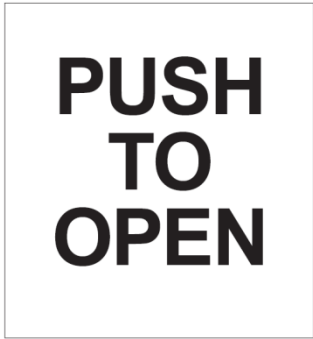
# Graphic Options



/1



/2



/3

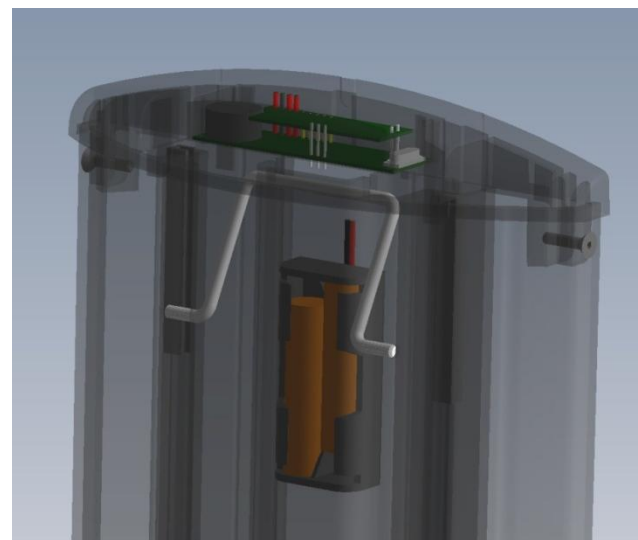


/4

# Wireless Options



- Lazerpoint RF™ 915Mhz. spread spectrum transmitter (CM-TX9) snaps into end-cap.
- Option for factory install.
- Lazerpoint RF™ system also support 300Mhz., 318Mhz., 390Mhz. & 433Mhz. wireless transmitters.





# Bollard (Post) Options



Only Camden offers:

- Clear aluminum and dark bronze finish, perfectly matched to switch.
- 48" and 42" tall bollard models.
- Fully prepared bollards eliminate on-site cutting and drilling.

# Additional Features



- Heavy duty, extruded aluminum construction designed for high traffic, outdoor, applications.
- Attractive and low profile contoured design with easy activation from all angles.
- No internal wires exposed to moving parts
- More features and options than any other product on the market.
- 3 year warranty.
- Camden's exclusive 'Road Test' money-back guarantee takes the risk out of your first installation.



**PUSH  
TO  
OPEN**

# Thank You!



DISCOVER THE BEST IN DOOR ACTIVATING AND LOCKING PRODUCTS!