

# CM-PT-Series Power Transfer Cables

## INSTALLATION INSTRUCTIONS

### THIS PACKAGE INCLUDES:

1 x Power Transfer Cable	4 x Mounting Screws	1 x Installation Instructions Manual
2 x End Caps	4 x Anchor Plugs (CM-PTS14 only)	

### 1. GENERAL DESCRIPTION

Designed for robust performance, Camden's power transfer cables are ideal for connecting power to door accessories like crash bars, electric locks, and other security devices. Their flexible yet durable construction makes them suitable for a wide range of commercial, industrial, and institutional applications where reliable power transmission is critical. Our power transfer cables are crafted with precision engineering, ensuring they not only meet but exceed industry expectations for performance and durability.

### 2. SPECIFICATIONS

Model Number	Length Options	Inside Diameter	Screw Size	Material	Endcap Type
CM-PT14	18"	1/4"	#10 x 7/8" ST - Screws	Stainless Steel, US26 finish	Aluminum
CM-PT14DUR	18"	1/4"	#10 x 7/8" ST - Screws	Stainless Steel, duranodic (dark bronze) finish	Aluminum
CM-PT38	18"	3/8"	#10 x 7/8" ST - Screws	Stainless Steel, US26 finish	Aluminum
CM-PT38DUR	18"	3/8"	#10 x 7/8" ST - Screws	Stainless Steel, duranodic (dark bronze) finish	Aluminum
CM-PTS14	12"	1/4"	#6 x 1" ST - Screws	Stainless Steel, US26 finish	Grey Zamac
CM-PTSS-7, -12, -18	7", 12", 18"	1/4"	#6 x 3/4" ST - Screws	Stainless Steel, US26 finish	Stainless Steel
CM-PTSS38-7, -12, -18	7", 12", 18"	3/8"	#6 x 3/4" ST - Screws	Stainless Steel, US26 finish	Stainless Steel

### 3. INSTALATION

#### Preparation:

**1. Identify Model:** Determine the specific model of the Camden power transfer cable you are installing (CM-PT14/CM-PT14DUR/CM-PT38/CM-PT38DUR, PTS14, or PTSS-Series).

#### Initial Setup:

**2. Remove Endcap Cover:** For models with an endcap cover, unscrew the #6 x 1/2" self-tapping Phillips pan head screw to remove it.

**3. Position Endcaps:** Place the endcaps at the intended mounting points on the door frame and the door, ensuring they align with the path of the power transfer cable.

#### Drilling and Mounting:

**4. Drill Cable Passage Hole (if not pre-drilled):** Drill an 11/16" (17.5mm) diameter hole through the door frame and the door to allow the power transfer cable to pass through.

**5. Align and Mark Mounting Locations:** Using the endcaps or the previously drilled hole as a guide, mark the mounting locations on both the door frame and the door.

**6. Drill Mounting Holes:** Drill pilot holes at the marked locations using a #21 drill bit (5/32", 4.04mm) for the CM-PT models, and a 3/32" (about 2.4mm) drill bit for the PTS14 and PTSS-Series models.

#### Installation:

**7. Insert Anchor Plugs (if necessary):** For surfaces requiring additional support, insert anchor plugs into the pilot holes.

**8. Attach Endcaps:** Secure the endcaps using the appropriate self-tapping Phillips screws:

- For CM-PT models, use the provided #10 x 7/8" screws.
- For PTS14 and PTSS-Series, use the #6 x 1" screws for PTS14 and #6 x 3/4" screws for PTSS-Series.

**Cable Installation:**

**9. Install Power Transfer Cable:** Thread the power transfer cable through the openings in the endcaps, ensuring there are no sharp bends or tension in the cable.

**Finishing Touches:**

**10. Reattach Endcap Cover:** For the CM-PT models, reattach

the endcap to the assembly using the same #6 x 1/2" self-tapping Phillips pan head screw.

**11. Cover Exposed Screws:** For the PTS14 and PTSS-Series models, apply the endcap plugs over the exposed screw heads for a finished appearance.

**CM-PT14/CM-PT14DUR/  
 CM-PT38/CM-PT38DUR**

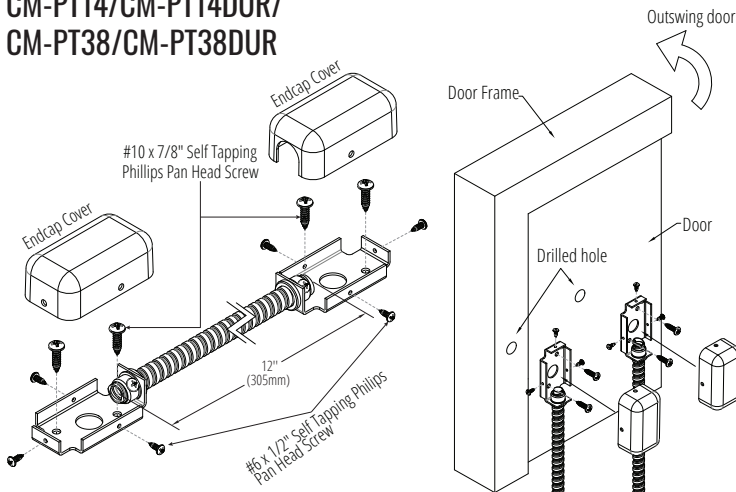


Figure 4.1 Installation for CM-PT14/CM-PT14DUR/CM-PT38/CM-PT38DUR

**PTSS-Series**

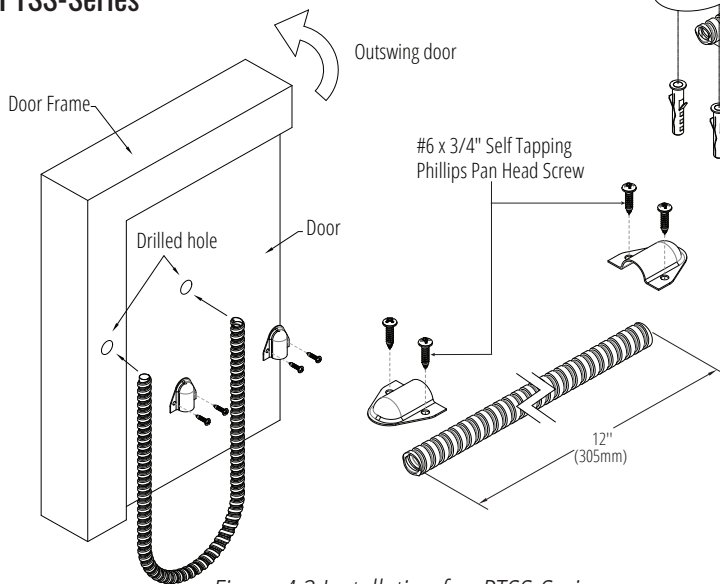


Figure 4.3 Installation for PTSS-Series

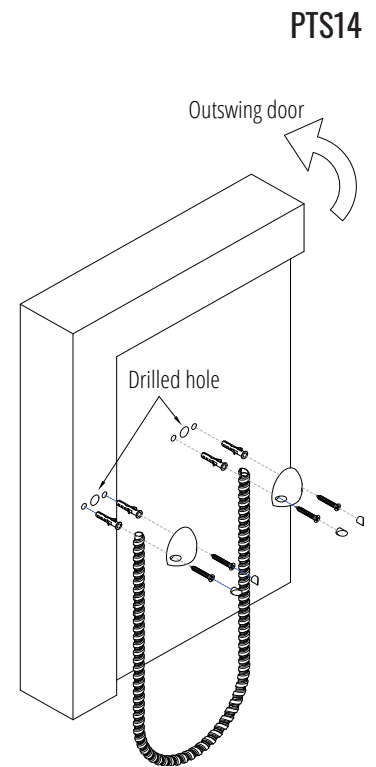
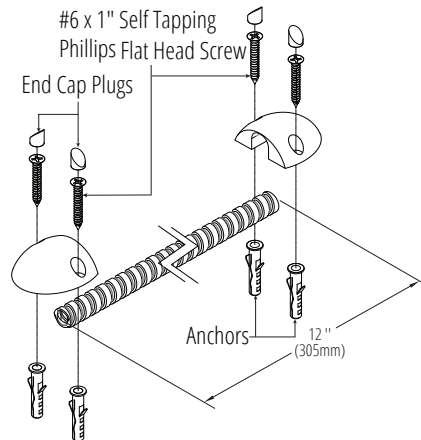


Figure 4.2 Installation for PTS14