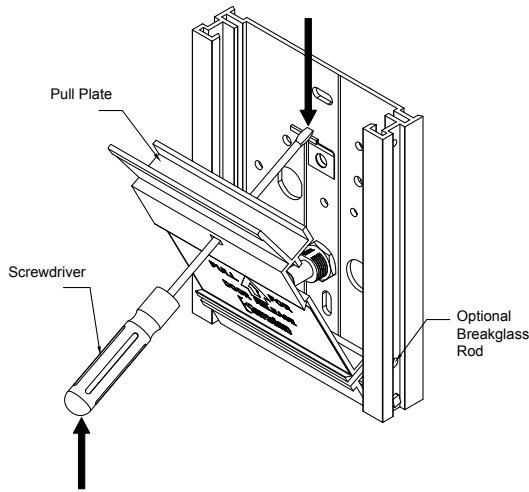


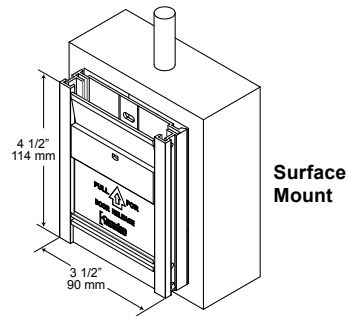
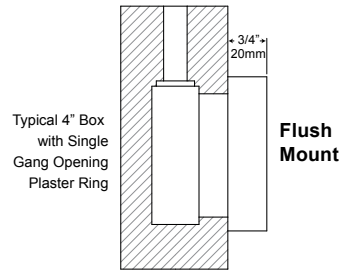
CM-700 Series Pull Stations
Installation Instructions

Reset

1. Insert Screwdriver or Rod through the hole on the pull plate as per the diagram below
2. Press down Screwdriver or Rod against retaining clasp and push the pull plate in to reset.



Mounting Options



Wiring Diagrams

