

CM-6000 Series Locking Push Buttons

INSTALLATION INSTRUCTIONS

THIS PACKAGE INCLUDES:

- (1) 2- 3/8" (60mm) diameter Button with key to release.
- (1) Single Gang Die-cast Aluminum Faceplate
- (1) Normally open and/or Normally closed Contact block.



1. GENERAL DESCRIPTION

CM-6000 Series Locking push buttons are specially designed and manufactured for lock-out or emergency applications. Once pushed, the button latches and cannot be reset unless the key is inserted and turned in the center locking cylinder

Camden Door Controls CM-6000 Series Switches are heavy duty push buttons designed for industrial and commercial applications. Buttons are 2 3/8" (60mm) in diameter and are available in red. The faceplate is 1/4" [6mm] thick brushed aluminum, 4 1/2" [114mm] in height and 2 3/4" [70mm] in width. Optional duranodic (US40) finish is also available.

CM-6000 Series switches utilize UL/CSA listed switch components. Finished models comply with UL61058 Standard for Switches. Rated 6 amps @ 30 VDC, with maintained operation.

2. SPECIFICATIONS

Voltage	12/24 VDC
Contact Rating	6A @ 30 VDC
Temperature Range	-13°F to 158°F (-25°C to 75°C)
Switch Type	Maintained
Standard Finish	Brushed Aluminum
Dimensions	CM-6000: 4 1/2" H x 2 3/4" W x 1 1/2"D (114mm X 70mm x 38mm)

3. APPLICATION

Camden CM-6000 Series Switches are ideal for lock-out or emergency shut-down applications. They can be surface or flush mounted. Camden CM-6000 Series Switches are designed for use on emergency doors, fire exits, or other applications where positive latching action is desired.

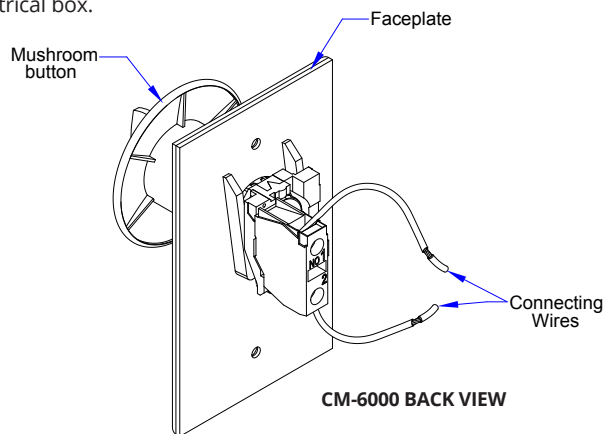
4. INSTALLATION

The CM-6000 series contact block is a SPST (Single Pole Single Throw). It can be ordered with either a Normally Open or Normally Closed contact block. Each contact block is color coded. A contact block with a green actuator is Normally Open, where the red actuator is Normally Closed. Both types are available in a Momentary configuration.

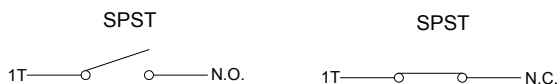
The CM-6000 series comes with one contact block but can easily have three attached across the back of the button. If the application calls for more than three functions to happen on activation, then each contact block can be stacked with another doubling the number of functions on activation.

Installation is very simple by inserting the wiring into the top and the bottom of the contact block and securing them with the two screw terminals.

Each contact block has its screw terminals numbered so that the provided diagrams can be followed with ease and clarity. The CM-6000 Series are supplied with a 1-3/4" brushed aluminum faceplate for door jamb mounting and can be easily be mounted to a single gang electrical box.



5. WIRING



Momentary: When the switch is pressed the current pole will change to the opposite state until released.

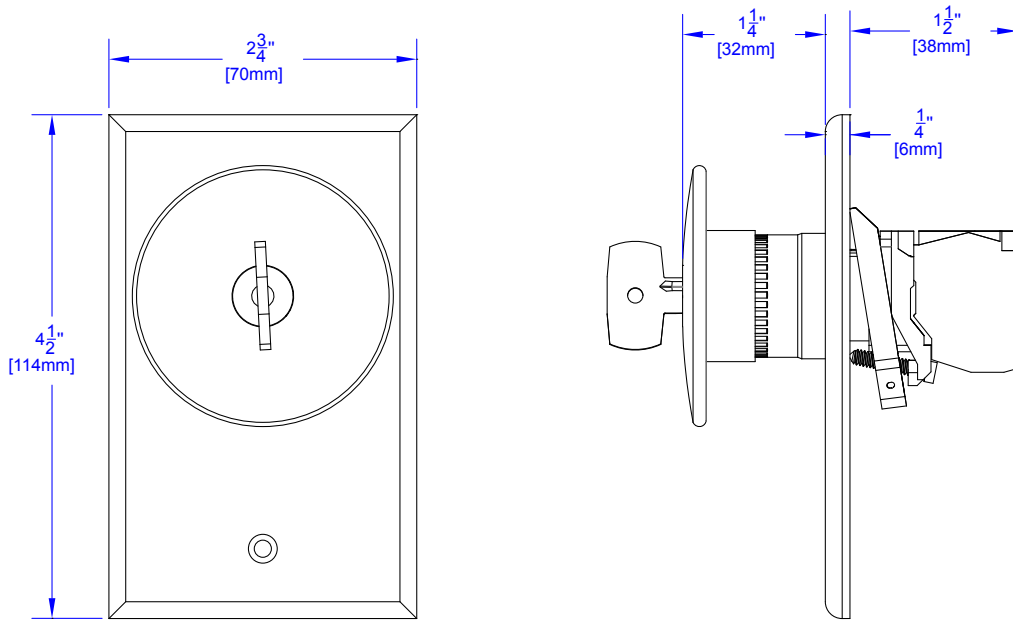
Maintained: When the switch is pressed it will provide the opposite pole until the button is pressed again

WIRING LAYOUT & COLOR CODING		
SWITCH TYPE	SPST N.O.	SPST N.C.
COMMON	BLACK	BLACK
NORMALLY OPEN	BLACK	
NORMALLY CLOSED		BLACK

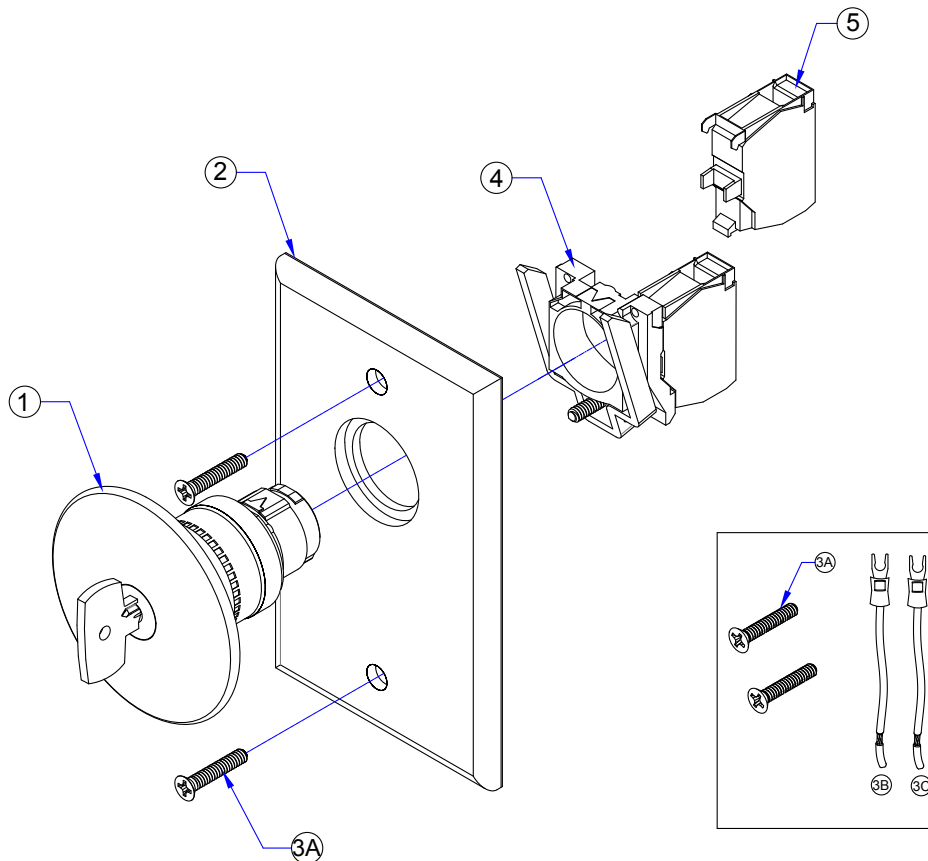
CM-6000 LOCKING PUSH BUTTON

INSTALLATION INSTRUCTIONS

6. CM-6000 SERIES FRONT AND SIDE VIEW



7. PARTS INFORMATION



ORDERING INFORMATION FOR REPLACEMENT PARTS			
ITEM NUMBER	PART NUMBER	DESCRIPTION	
1.	60-66A012	RED 2-3/8" (60mm) MAINTAINED LOCKING MUSHROOM BUTTON WITH KEY TO RELEASE.	
2.	60-41A003	SINGLE GANG DIE-CAST ALUMINUM FACEPLATE 4 1/2"H x 2 3/4"W x 1/4"D (114mm x 70mm x 6mm)	
PARTS KIT			
ITEM NUMBER	PART NUMBER	DESCRIPTION	
3.	FOR N-C & N-O CONTACTS		(A) 6-32 x 3/4 FLAT HEAD PHILLIPS ZINC PLATED SCREW
	60-34B024	(B) 6" ORANGE WIRE WITH INSULATED SPADE CONNECTOR	
	FOR N-O CONTACTS		(C) 6" BLUE WIRE WITH INSULATED SPADE CONNECTOR
	60-34B025	(A) 6-32 x 3/4 FLAT HEAD PHILLIPS ZINC PLATED SCREW	
		(B) 6" BLUE WIRE WITH INSULATED SPADE CONNECTOR	
	FOR N-C CONTACTS		(C) 6" GREY WIRE WITH INSULATED SPADE CONNECTOR
60-34B026	(A) 6-32 x 3/4 FLAT HEAD PHILLIPS ZINC PLATED SCREW		
	(B) 6" ORANGE WIRE WITH INSULATED SPADE CONNECTOR		
	(C) 6" GREY WIRE WITH INSULATED SPADE CONNECTOR		
CONTACT OPTIONS			
ITEM NUMBER	MODEL NUMBER	DESCRIPTION	
4.	CM-6030	RED, PUSH TO LOCK, KEY TO RELEASE, NORMALLY OPEN, MAINTAINED	
	CM-6040	RED, PUSH TO LOCK, KEY TO RELEASE, NORMALLY CLOSED, MAINTAINED	
	CM-6050	RED, PUSH TO LOCK, KEY TO RELEASE, NORMALLY OPEN AND NORMALLY CLOSED, MAINTAINED	
INDIVIDUAL CONTACT OPTIONS			
ITEM NUMBER	PART NUMBER	ITEM NUMBER	ITEM NUMBER
5.	60-66C000	1	NORMALLY OPEN CONTACT BLOCK
	60-66C001	1	NORMALLY CLOSED CONTACT BLOCK
	60-66C002	1	NORMALLY OPEN AND NORMALLY CLOSED CONTACT BLOCK
COMPATIBLE MOUNTING BOXES OPTION			
ITEM NUMBER	PART NUMBER	DESCRIPTION	
6.	FOR SINGLE GANG		
	CM-31	SLEEVE COVER FOR STANDARD 2 3/4" X 4 1/4" (69mm X 110mm) SURFACE ELECTRICAL BOX. HEAVY GAUGE STAINLESS STEEL	
	CM-CPC1	VANDAL AND WEATHER RESISTANT CLEAR LIFT COVER	
	CM-34D	SURFACE MOUNT BOX WITH EXTRA DEEP. HEAVY DUTY GREY POLYMER 4-1/2"W x 2-3/4"H x 3"D [117mm x 70mm x 76mm]	
	CM-34AL	SURFACE MOUNT BOX WITH STANDARD DEPTH AND THREADED CONDUIT ENTRY. HEAVY DUTY CAST ALUMINUM 4-1/2"W x 2-3/4"H x 1-3/4"D [144mm x 70mm x 47mm]	
CM-66	FLUSH BOX & DRESS PLATE, STANDARD DEPTH BOX WITH 7" x 7" DRESS PLATE HEAVY GAUGE STAINLESS STEEL		