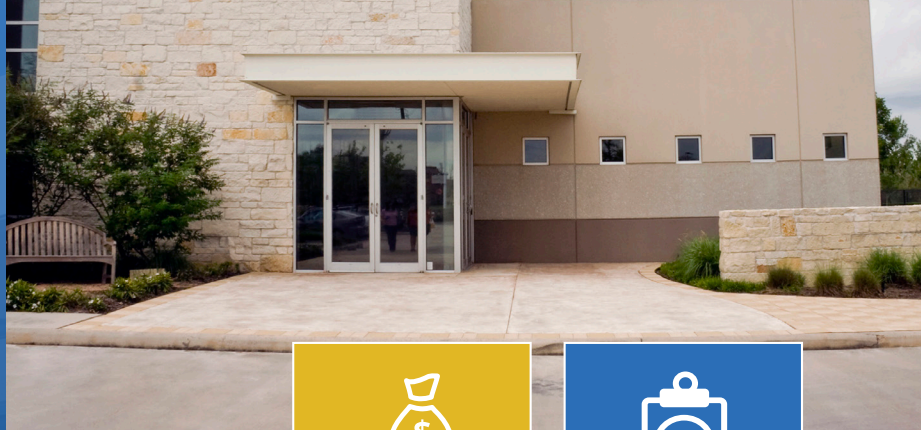


CM-550SK WEATHER/VANDAL RESISTANT KEYPAD (V3)



Camden's Next Generation CM-550SK offers a simple and affordable access control solution for high-traffic applications that demand weather and vandal resistant performance over years of operation.

The CM-550SK is designed with a sturdy, cast metal housing and illuminated keypad, making it ideal for professional offices, schools, commercial and industrial applications.



BEST VALUE



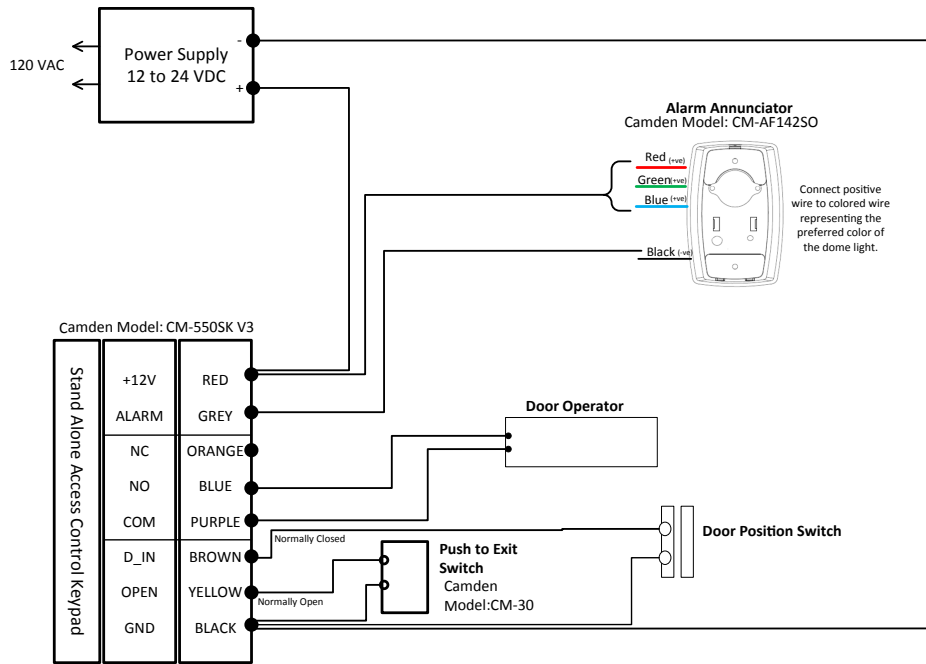
BEST QUALITY

Features

- IP68 Rated Water/Dust Resistance
- Back-Lit Vandal Resistant Keypad for Enhanced Visibility
- All metal construction for wall or jamb mounting
- Rain/Privacy Shield Included
- Up to 20,000 Users
- Adjustable Door Output Time, Alarm Time & Door Open Time
- Mantrap (Requires Two Keypads)
- Easy Programming
- Tamper Alarm Output (LDR)
- 3-Year Warranty



WIRING TO A DOOR OPERATOR



SPECIFICATIONS

INPUT POWER:	10 - 28V AC/DC
STANDBY CURRENT:	35 mA (Input VDC12V)
OPERATING CURRENT:	100 mA (Input VDC12V)
WORKING HUMIDITY:	0-95%
WORKING TEMPERATURE:	-40°C - 60°C (-40F - 140F)
ALARM OUTPUT (DIGITAL):	1A @ 30 VDC
LOCK RELAY:	1A @ 30 VDC
USERS:	20,000
IP RATING:	68

ORDERING INFORMATION

CM-550SK: Stand-Alone Keypad, 1 Relay, 20,000 Users

DIMENSIONS

