



CM-30EE/AT

LED ILLUMINATED PUSH/EXIT SWITCH, WITH ELECTRONIC TIMER



CM-30EE

FEATURES

- HIGH VISIBILITY 2" (50.8MM) SQUARE ILLUMINATED BUTTON
- INDUSTRIAL GRADE STAINLESS STEEL FACEPLATE
- 12/28V WITH LED BULB (STANDARD)
- FAST AND EASY TO INSTALL
- MEETS NFPA CODE REQUIREMENTS
- **CM-30EE:** 30 SECOND FIXED TIMER
- **CM-30AT:** 30 SECOND ADJUSTABLE TIMER
- IN-WALL BACK BOX INCLUDED
- **CM-30EE:** DOUBLE BREAK DESIGN FOR ADDITIONAL SECURITY
- SPDT 10 AMP. MOMENTARY CONTACTS
- 'CAMDEN TOUGH' 3YR. WARRANTY

DESCRIPTION

Camden Door Controls **CM-30EE** and **CM-30AT** LED illuminated exit switches are high visibility, economical 'Request to Exit' (REX) controls. Buttons are backlit in green with black 'Push to Exit' text. They are supplied with a single gang industrial grade stainless steel faceplate and tamperproof screws.

The SPDT switch components are UL/CSA approved, rated 10 amps @ 30V DC, momentary operation.

CM-30EE is supplied with a momentary switch, and an integrated 30 second fixed timer. Pushing the button cuts power to the magnetic lock, and activates the 30 second fixed timer. This model is supplied with plastic backbox, for in-wall mounting. The double break circuit design ensures power to the maglock will be interrupted by pressing the button, should the timer or request to exit sensor malfunction.

CM-30AT is supplied with an adjustable 30 second timer. Pushing the button cuts power to the magnetic lock and activates the timer. In-wall mounting box included.

APPLICATION

CM-30EE egress switches are ideal for any installation where a large, high visibility illuminated switch is required. They may be surface or flush mounted.

Camden LED illuminated exit switches are designed to control electric locks, electromagnetic locks, electric strikes, automatic doors, and low energy operators.

They may also be used for shunting, bypassing alarms, request to exit, timed functions, and many other applications.

CM-30EE is to be used where double break circuitry is required by code; typically where magnetic locks are installed.

KEY SWITCHES

PUSH BUTTONS

MOUNTING OPTIONS

RF CONTROLS

HANDS-FREE SWITCHES

SPECIAL PURPOSE SWITCHES

KEYPADS

ACCESSORIES

LED ILLUMINATED EGRESS SWITCHES

ARCHITECTS/ENGINEERS SPECIFICATIONS

The LED illuminated egress exit switches to be used in the site/complex shall be Camden Door Controls CM-30EE illuminated exit switches.

The button shall be 2" square, and designed to be easy to activate. The faceplate shall be constructed of industrial grade stainless steel, and shall be supplied with stainless steel Torx or snake eye security screws. All symbols, letters, and/or markings shall be inset under the bezel of the button so as to never wear off.

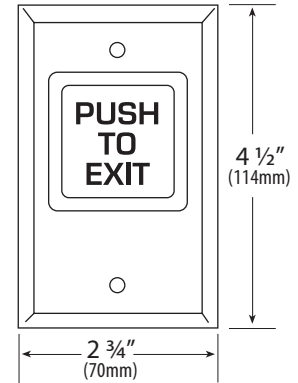
Ratings for all electrical contacts shall be a minimum of 10 amps @ 30 VDC and shall be UL 294 compliant.

SPECIFICATIONS

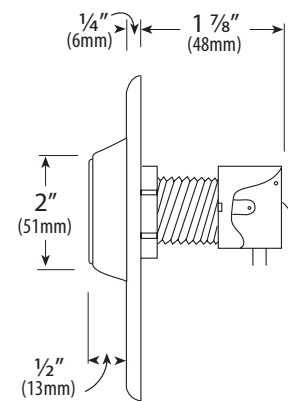
| | |
|-----------------|---|
| VOLTAGE: | 12/24 VDC |
| CONTACT TYPE: | SPDT FORM 'C' |
| CONTACT RATING: | 10A@30V DC |
| SWITCH TYPE: | MOMENTARY |
| STD. FINISH: | US 32/C32D |
| MOUNTING: | SINGLE GANG IN-WALL BOX INCLUDED |
| DIMENSIONS: | 4 1/2" H x 2 3/4" W x 2 1/2" D (114mm x 70mm x 64mm) |

ORDERING INFORMATION

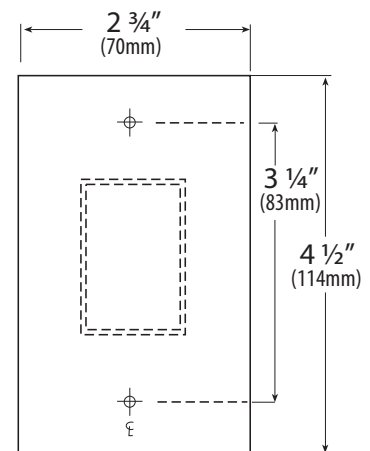
| MODEL | DESCRIPTION |
|---|---|
| SWITCH WITH FIXED 30 SEC. TIMER | |
| CM-30EE: | SPRING RETURN, MOMENTARY, GREEN 'PUSH TO EXIT' LABEL, 12/28V LED BULB WITH INTEGRATED 30 SECOND ELECTRONIC FIXED TIMER, AND IN-WALL PLASTIC MOUNTING BOX. |
| SWITCH WITH ADJUSTABLE 30 SEC. TIMER | |
| CM-30AT: | 2" GREEN 'PUSH TO EXIT' BUTTON WITH ADJUSTABLE 30 SECOND TIMER 12/28V LED BULB WITH IN-WALL MOUNTING BOX INCLUDED |



FRONT VIEW



CM-30E
SIDE VIEW



CM-30EE
BOX