

# CM-5000 Series Mushroom Push Buttons

## INSTALLATION INSTRUCTIONS

### THIS PACKAGE INCLUDES:

- (1) 2- 3/8" (60mm) diameter Push Button.
- (1) Single Gang Die-cast Aluminum Faceplate
- (1) Normally open and/or Normally closed Contact block.
- (1) Parts Kit



CM-5000

### 1. GENERAL DESCRIPTION

Camden Door Controls CM-5000 Series Switches are heavy duty push buttons designed for industrial and commercial applications. Buttons are 2 3/8" (60mm) in diameter and are available in red, blue or green (other colors on request). The faceplate is 1/4" [6mm] thick brushed aluminum, 4 1/2" [114mm] in height and 2 3/4" [70mm] in width. Optional duranodic (US40) finish is also available.

CM-5000 Series switches utilize UL listed switch components. Finished models comply with UL61058 Standard for Switches. Rated 10 amps @30 VDC, either momentary or maintained operation.

### 2. SPECIFICATIONS

Voltage	12/24 VDC
Contact Rating	6A @ 30 VDC
Temperature Range	-13°F to 158°F (-25°C to 70°C)
Switch Type	Momentary, Maintained
Standard Finish	Brushed Aluminum
Dimensions	<b>CM-5000:</b> 4 1/2" H x 2 3/4" W x 1 1/2"D (114mm X 70mm x 38mm)

### 3. APPLICATION

Camden CM-5000 Series Switches are ideal for high traffic areas such as building front entrances and exits, as well as institutions, such as hospitals. They can be surface, flush, or mullion mounted.

Camden CM-5000 Series Switches are designed to control electric locks, electro-magnetic locks, electric strikes, automatic doors, and handicap operators. They may also be used for automatic doors, shunting, bypassing alarms, request-to-exit, timed functions, and many other applications.

The switches are made for high frequency usage, in an indoor or outdoor environment. Camden Push Switches are versatile, and are supplied in various configurations to suit commercial, industrial, and residential applications.

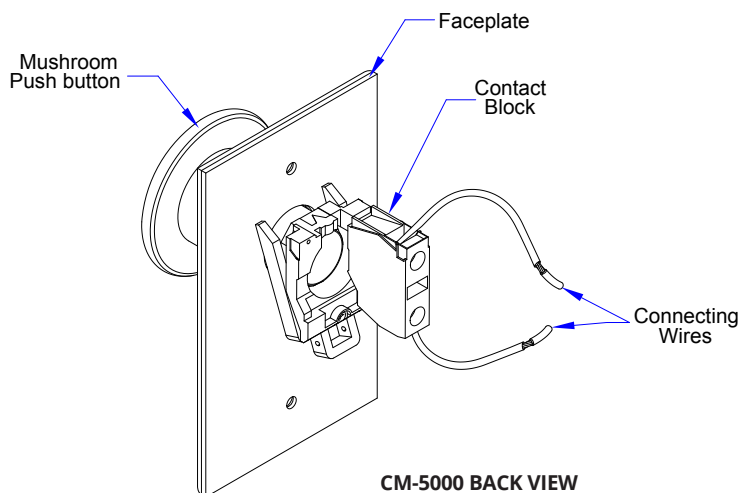
### 4. INSTALLATION

The CM-5000 series contact block is a SPST (Single Pole Single Throw). It can be ordered with either a Normally Open or Normally Closed contact block. Each contact block is color coded. A contact block with a green actuator is Normally Open, where the red actuator is Normally Closed. Both types are available in a Momentary configuration.

The CM-5000 series comes with one contact block but can easily have three attached across the back of the button. If the application calls for more than three functions to happen on activation, then each contact block can be stacked with another doubling the number of functions on activation.

Installation is very simple by inserting the wiring into the top and the bottom of the contact block and securing them with the two screw terminals.

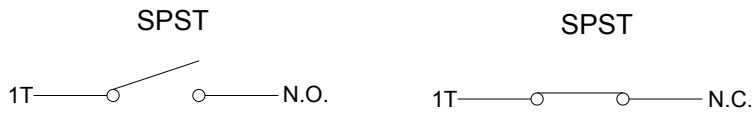
Each contact block has its screw terminals numbered so that the provided diagrams can be followed with ease and clarity. The CM-5000 Series are supplied with a 1-3/4" brushed aluminum faceplate for door jamb mounting and can be easily be mounted to a single gang electrical box.



# CM-5000 MUSHROOM PUSH BUTTONS

## INSTALLATION INSTRUCTIONS

### 5. WIRING

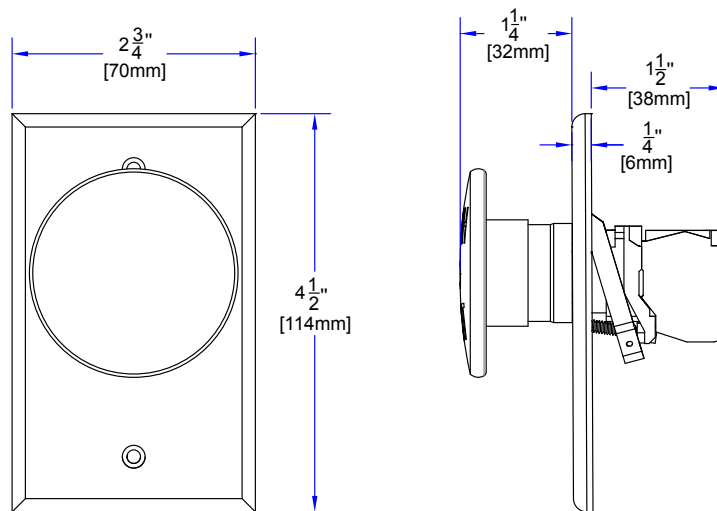


**Momentary:** When the switch is pressed the current pole will change to the opposite state until released.

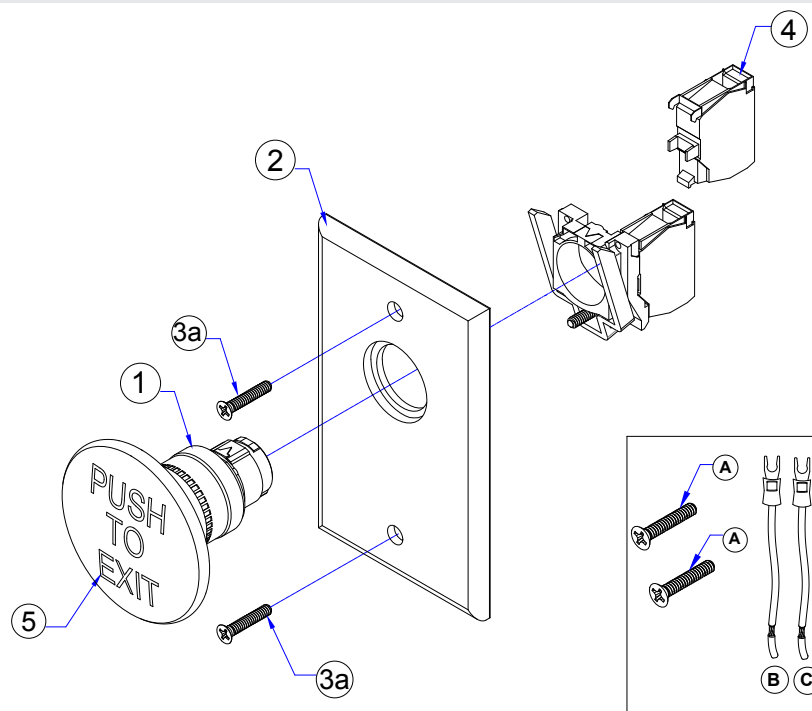
**Maintained:** When the switch is pressed it will provide the opposite pole until the button is pressed again

WIRING LAYOUT & COLOR CODING		
SWITCH TYPE	SPST N.O.	SPST N.C.
COMMON	BLACK	BLACK
NORMALLY OPEN	BLACK	
NORMALLY CLOSED		BLACK

### 6. CM-5000 SERIES FRONT AND SIDE VIEW



### 7. PARTS INFORMATION



**CM-5000 MUSHROOM PUSH BUTTONS**

## INSTALLATION INSTRUCTIONS

<b>MODEL NUMBERS</b>				
	<b>MODEL NUMBER</b>		<b>QTY</b>	<b>DESCRIPTION</b>
	<b>MOMENTARY</b>	<b>MAINTAINED</b>		
	CM-5000	CM-5030	1	NORMALLY OPEN CONTACT BLOCK, PUSH / PULL
	CM-5010	CM-5040	1	NORMALLY CLOSED CONTACT BLOCK, PUSH / PULL
	CM-5020	CM-5050	1	NORMALLY OPEN & NORMALLY CLOSED CONTACT, BLOCK PUSH / PULL
		CM-5060	1	NORMALLY OPEN CONTACT BLOCK, PUSH / TURN TO RELEASE
		CM-5070	1	NORMALLY CLOSED CONTACT BLOCK, PUSH / TURN TO RELEASE
		CM-5080	1	NORMALLY OPEN & NORMALLY CLOSED CONTACT BLOCK PUSH / TURN TO RELEASE

<b>ORDERING INFORMATION FOR REPLACEMENT PARTS</b>		
<b>ITEM NUMBER</b>	<b>PART NUMBER</b>	<b>DESCRIPTION</b>
1.	60-66A007	RED MOMENTARY MUSHROOM BUTTON (DIA. 2-3/8")
	60-66A008	RED MAINTAINED MUSHROOM BUTTON (DIA. 2-3/8")
	60-66A009	BLUE MOMENTARY MUSHROOM BUTTON (DIA. 2-3/8")
	60-66A010	GREEN MOMENTARY MUSHROOM BUTTON (DIA. 2-3/8")
	60-66A011	RED MAINTAINED MUSHROOM BUTTON (DIA. 2-3/8") PUSH/ TURN
2.	60-41A003	DIE-CAST ALUMINUM SINGLE GANG FACE PLATE 4 1/2"H x 2 3/4"W x 1/4" D (114mm x 70mm x 6mm)

<b>PARTS KIT</b>		
<b>ITEM NUMBER</b>	<b>PART NUMBER</b>	<b>DESCRIPTION</b>
3.	<b>FOR N-C &amp; N-O CONTACTS</b>	(A) 6-32 x 3/4 FLAT HEAD PHILLIPS ZINC PLATED SCREW
	60-34B024	(B) 6" ORANGE WIRE WITH INSULATED SPADE CONNECTOR (C) 6" BLUE WIRE WITH INSULATED SPADE CONNECTOR
	<b>FOR N-O CONTACTS</b>	(A) 6-32 x 3/4 FLAT HEAD PHILLIPS ZINC PLATED SCREW
	60-34B025	(B) 6" BLUE WIRE WITH INSULATED SPADE CONNECTOR (C) 6" GREY WIRE WITH INSULATED SPADE CONNECTOR
	<b>FOR N-C CONTACTS</b>	(A) 6-32 x 3/4 FLAT HEAD PHILLIPS ZINC PLATED SCREW
	60-34B026	(B) 6" ORANGE WIRE WITH INSULATED SPADE CONNECTOR (C) 6" GREY WIRE WITH INSULATED SPADE CONNECTOR

# CM-5000 MUSHROOM PUSH BUTTONS

## INSTALLATION INSTRUCTIONS

INDIVIDUAL CONTACT OPTIONS			
ITEM NUMBER	PART NUMBER	ITEM NUMBER	ITEM NUMBER
4.	60-66C000	1	NORMALLY OPEN CONTACT BLOCK
	60-66C001	1	NORMALLY CLOSED CONTACT BLOCK
	60-66C002	1	NORMALLY CLOSED CONTACT AND NORMALLY OPEN BLOCK
BUTTON ENGRAVED (IN WHITE) OPTIONS			
ITEM NUMBER	MODEL NUMBER	ENGRAVED GRAPHIC DESCRIPTION	
5.	CM-xxxE	EXIT	
	CM-xxxS	EXIT / SORTIE	
	CM-xxxS	SORTIE	
	CM-xxxESA	EXIT / SALIDA	
	CM-xxxH	HANDICAP LOGO	
	CM-xxxSA	SALIDA	
COMPATIBLE MOUNTING BOXES			
ITEM NUMBER	PART NUMBER	DESCRIPTION	
6.	CM-34AL	SURFACE MOUNT BOX WITH STANDARD DEPTH AND THREADED CONDUIT ENTRY. HEAVY DUTY CAST ALUMINUM 4-1/2"W x 2-3/4"H x 1-3/4"D [144mm x 70mm x 44mm]	
	CM-66	FLUSH BOX & DRESS PLATE, STANDARD DEPTH BOX WITH 7" X 7" DRESS PLATE HEAVY GAUGE STAINLESS STEEL	
	CM-31	SLEEVE COVER FOR STANDARD 2 3/4" X 4 1/4" (69MM X 110MM) SURFACE ELECTRICAL BOX. HEAVY GAUGE STAINLESS STEEL	
	CM-CPC1	VANDAL AND WEATHER RESISTANT CLEAR LIFT COVER	
	CM-34BL	SINGLE GANG BLACK ABS BOX, SURFACE MOUNT 4 1/2"H X 2 7/8" W X 1 3/4"D [117MM X 73MM X 44MM]	
	CM-34D	SURFACE MOUNT BOX WITH EXTRA DEEPTH HEAVY DUTY GREY POLYMER 4 1/2"H X 2 3/4"W X 1 3/4"D [117MM X 70MM X 71MM]	