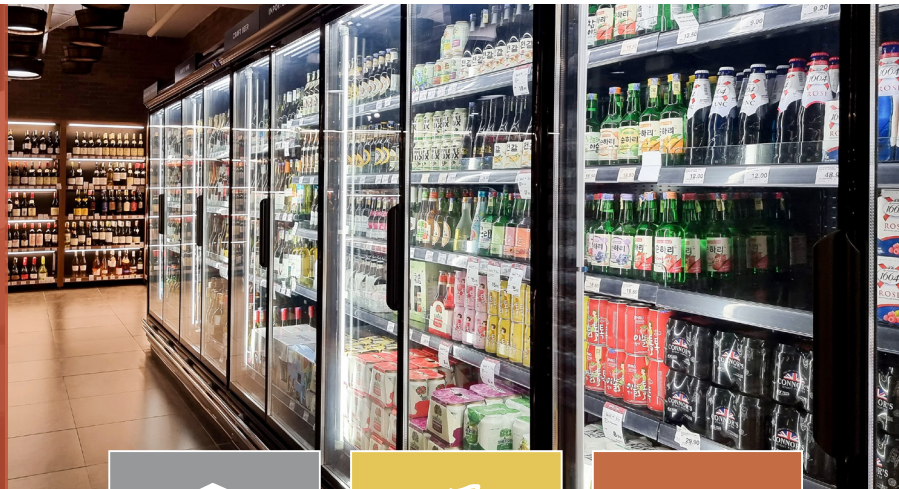


CX-EPD0009 Magnetic Cabinet Lock



Camden CX-EPD0009 Magnetic Cabinet Lock has an ultra-compact design and is an easily installed high-security lock for virtually any enclosure door, including computer cabinets, refrigerators, lockers, and retail display counters. This 12V or 24V magnetically operated lock has a holding force of 440 lbs. (200 kg) and is water-resistant, making it ideal for humid environments, including inside fridges and freezers.



EXCLUSIVE
PRODUCTS



BEST VALUE



RUGGED
CONSTRUCTION

Features

- Front or side mounting for use with swing or sliding doors and drawers
- Armature plate adjusts to door alignment
- Water resistant for indoor and outdoor use
- Ultra-compact design
- 440 lbs. (200 kg) holding force
- 5 lbs. preload



SPECIFICATIONS

POWER INPUT: 12 / 24 VDC
 CURRENT DRAW: 60mA @ 12VDC, 110mA @ 24VDC
 ENDURANCE: 250,000 Cycles
 STATIC STRENGTH: 440 lbs. (200 kg) Holding Force
 PRELOAD: 5 lbs.

TEMPERATURE RATING: -4°F to 140°F (-20°C to 60°C)
 OPERATION MODE: Fail-Safe
 INSTALLATION OPTIONS: Front Mount, Side Mount
 DIMENSIONS*: 2-1/2"H x 27/32"W x 1-1/4"D
 (64mm x 21.5mm x 31.6mm)
**Dimensions are of assembled product*

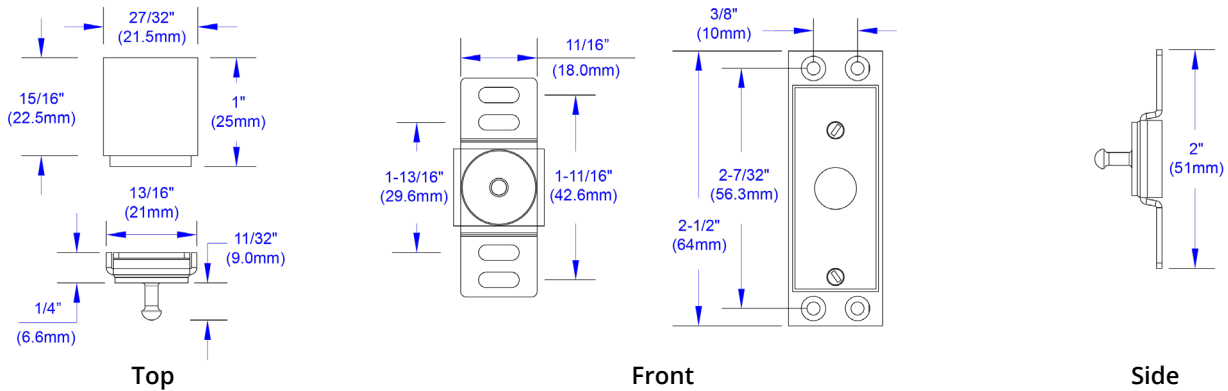
ORDERING INFORMATION

MODELS

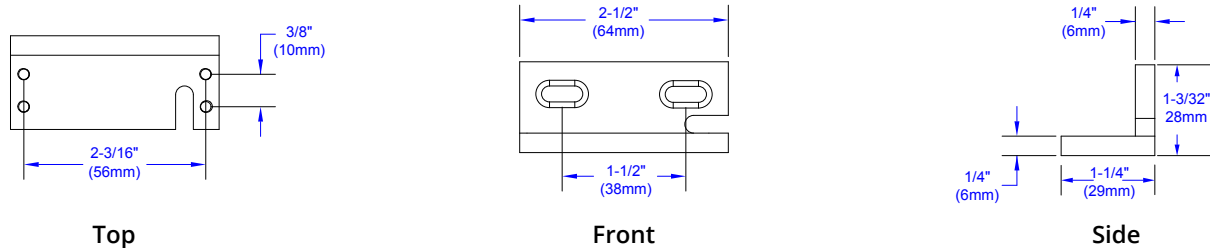
CX-EPD0009	Magnetic Cabinet Lock
CX-CL-LZBRK	Magnetic Cabinet Lock L & Z Bracket

DIMENSIONS

CABINET LOCK



L BRACKET



Z BRACKET

