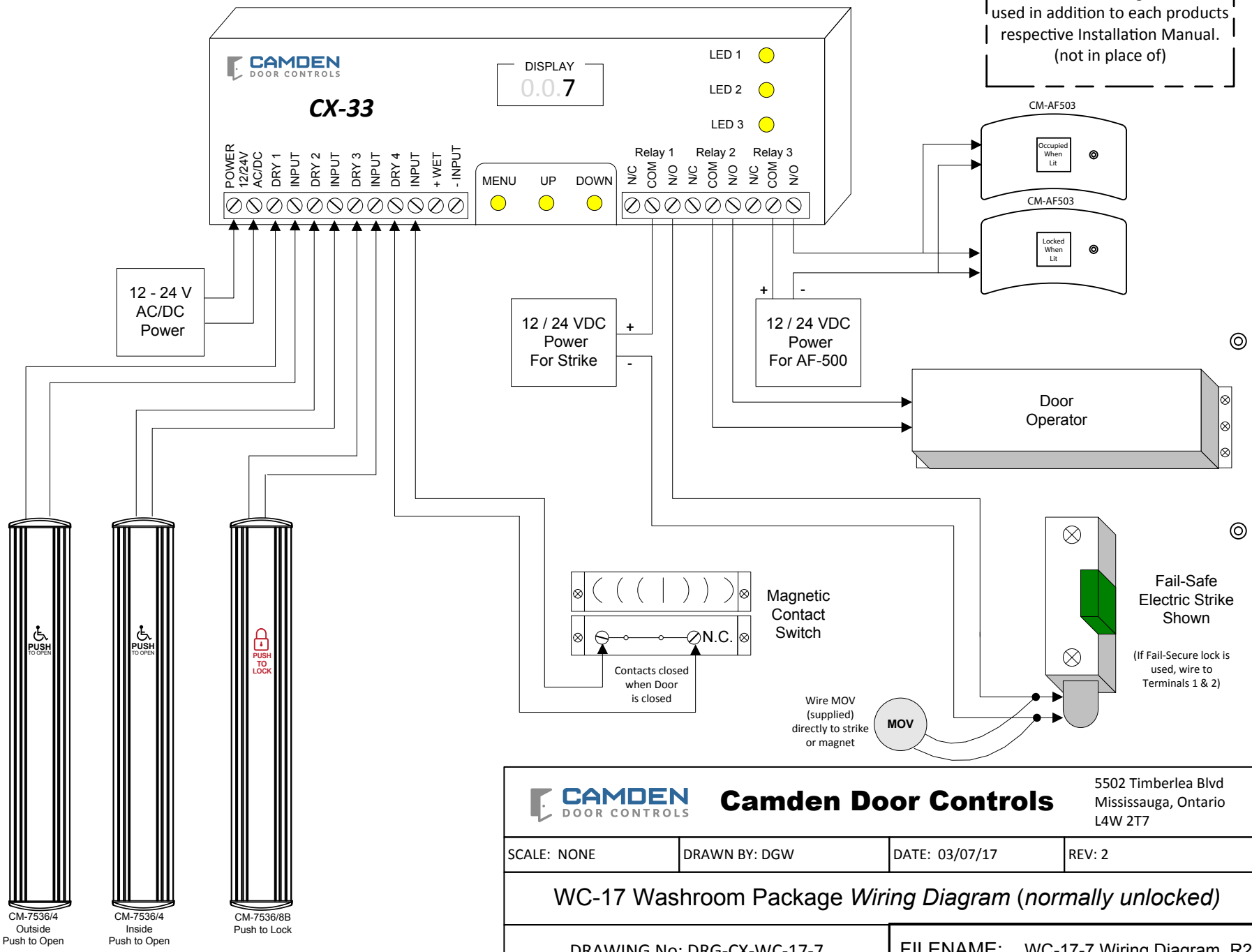


NOTE: This Drawing should be used in addition to each products respective Installation Manual. (not in place of)



		<b>Camden Door Controls</b>		5502 Timberlea Blvd Mississauga, Ontario L4W 2T7	
SCALE: NONE	DRAWN BY: DGW	DATE: 03/07/17	REV: 2		
<b>WC-17 Washroom Package Wiring Diagram (normally unlocked)</b>					
DRAWING No: DRG-CX-WC-17-7			FILENAME: WC-17-7 Wiring Diagram_R2		

For Normally Locked Door, see over...

Part # 40-82D010