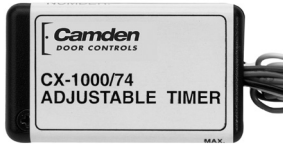


CX-1000/74 MICROMINDER



CX-1000/74

FEATURES

- ULTRA COMPACT DESIGN
- MOUNTED IN CONVENIENT PLASTIC CASE
- ADJUSTABLE DELAY FROM 1-30 SECONDS
- SPDT CONTACTS RATED AT 3 AMPS @ 24V DC
- 12/24V AC/DC
- COLOR CODED LEADS

DESCRIPTION

Camden Door Controls CX-1000/74 MicroMinder is a flexible easy-to-operate, delay on release timer which operates on 12-24V AC/DC. The delay is adjustable from 1 to 30 seconds, and is accessed through a hole in the cover. The Form C relay output is rated at 3 amps @ 24V DC. The input may be a dry contact such as a wall switch.

The compact enclosure protects the relay should it be placed inside a metal box, operator housing, or in the ceiling or wall cavity. The circuit board may be removed from the enclosure if space is at a premium.

APPLICATION

The MicroMinder is ideal for automatic door operators which do not have built in time delays.

It is also suitable for (de) energizing an electric strike or electromagnet for an adjustable time period, or any other application requiring a quality dependable timer.

ELECTRIC STRIKES

MAGNETIC LOCKS

DOOR ALARMS

RELAYS & TIMERS

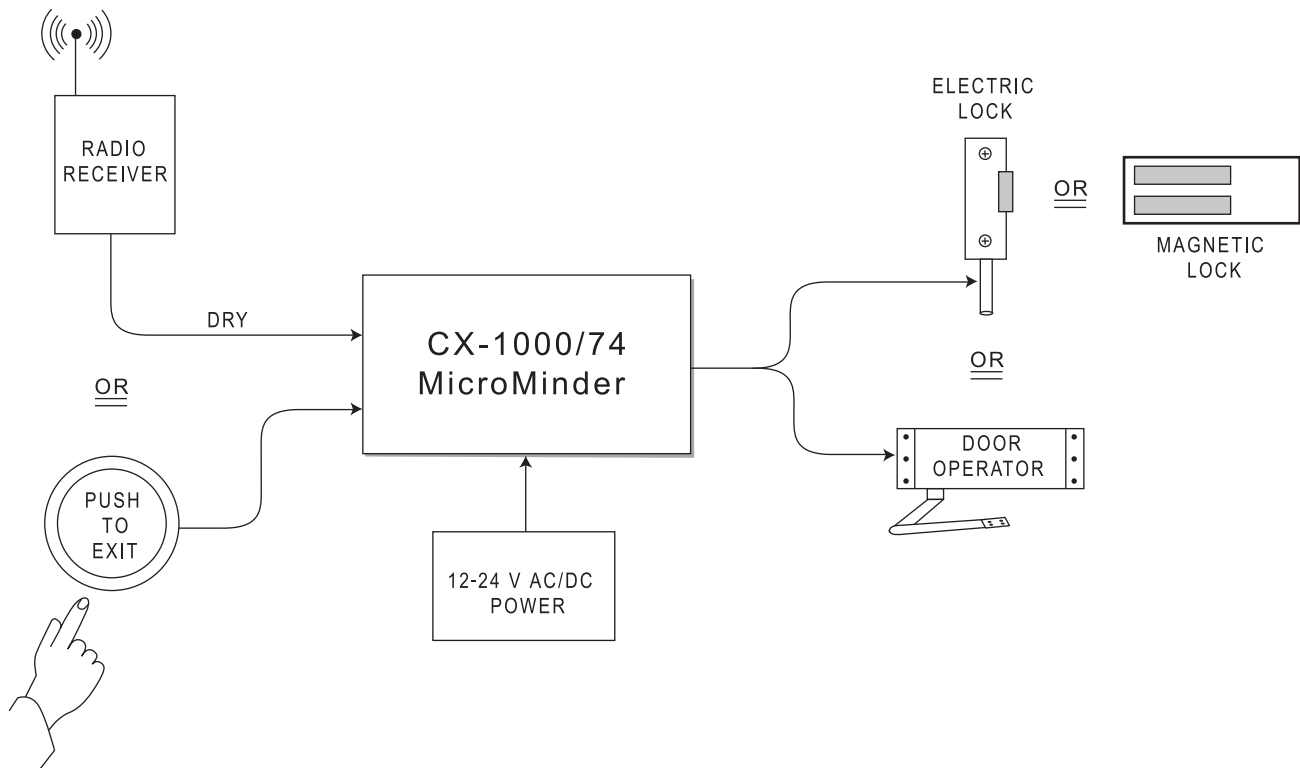
POWER SUPPLIES

TRANSFORMERS

ANNUNCIATORS

RESTROOM CONTROL KITS

TYPICAL APPLICATION



SPECIFICATIONS

OPERATING VOLTAGE:	12/24V AC/DC
CURRENT DRAW:	20 MA IDLE, 33 MA OPERATING
RESPONSE TIME:	.03 SECONDS
INPUT:	N/O DRY CONTACT
RELAY OUTPUT:	FORM 'C' (SPDT)
CONTACT RATING:	3 AMPS @ 24V DC
ELECTRICAL LIFE:	100,000 @ RATED CAPACITY
TIME DELAY:	1 - 30 SECONDS
MOUNTING:	DOUBLE SIDED FOAM TAPE
ENCLOSURE:	BLACK STYRENE PLASTIC
DIMENSION:	2 1/4" H x 1 1/4" W x 3/4" D (57mm x 32mm x 19mm)

