

CX-WEC10CK2

Emergency Control Kit

INSTALLATION INSTRUCTIONS

**IN THE EVENT OF AN EMERGENCY
PUSH EMERGENCY BUTTON
AND AUDIBLE AND VISUAL SIGNAL
WILL ACTIVATE**



THIS PACKAGE INCLUDES:

1- CM-AF540SO 2- CM-AF142SO 1- CM-SE21A

1. DESCRIPTION

The CX-WEC10CK2 Emergency Control Kit allows an individual to push the "PRESS FOR EMERGENCY ASSISTANCE" button to signal for help by illuminating two of the "Assistance Required" annunciators on the outside, and the "Assistance Requested" annunciator on the inside of the location. At the same time, the sounders built into all three annunciators will activate. The kit includes signage that states in the event of an emergency to press the button and an audible and visual signal will activate.

The CX-WEC10CK2 kit comes with the inside activation and annunciator built onto a double gang combination plate making installations quicker, since one back box install is needed rather than two single gang boxes. The two CM-AF142SO annunciators offer different color options (Red, Green, Blue and White), an adjustable flash rate and variable volume control. The two CM-AF142SO sounders can be placed in such a manner to ensure adequate notification above the door and in a secondary location. This will be done if the location is far away, around a corner or needs to be part of a Nurse or Guard station to alert staff to a request for assistance has been made.

Note: CX-WEC10CK2 Emergency Call System is OBC Regulation 368/13, Section 3.8.3.12 compliant.

2. OPERATION AT A GLANCE

When the "PRESS FOR EMERGENCY ASSISTANCE" button on the CM-AF540SO is pushed in, it will change its normally open contact to a closed contact and activate both outside light and sounders (CM-AF142SO) to signal for help. The inside lights and sounder (CM-AF540SO) will also be activated giving the individual inside confirmation that the action has taken place. Once the emergency has been attended to, the red mushroom button on the CM-AF540SO can be pulled out to silence and reset the system. The CM-AF142SO flash rate can be adjusted at the top right of the circuit board after removing the front dome cover. The CM-AF142SO volume can be increased or decreased by using the adjustment screw on the back of the unit.

Power

Both the CM-AF540SO and the CM-AF142SO can be powered with either 12/24 VAC/VDC.

Note: When the CX-WEC10CK2 is integrated with a Camden Restroom Control Kit, VDC power must be used to prevent the door strike from buzzing.

Wiring the CX-WEC10CK2 Emergency Control Kit

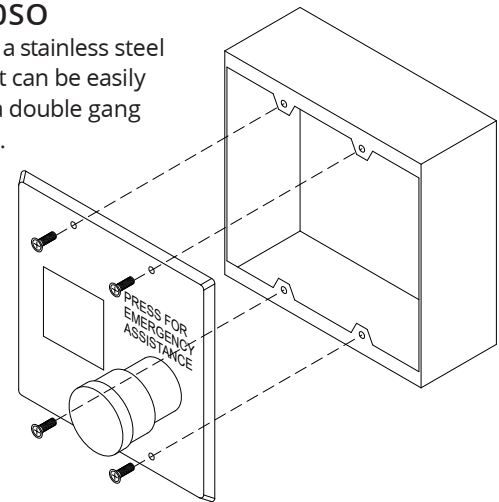
The inside and outside annunciators are wired in parallel to make them work at the same time when triggered. Take one of the black wires from the CM-AF540SO and the black wires from each of the CM-AF142SO's and tie them to the power supply's VDC ground (-). Take the remaining black wire from the CM-AF540SO and one of the Red, Blue or Green wires from each of the CM-AF142SO's (or take all colored wires from the CM-AF142SO's to make White) and wire to the red mushroom buttons, normally open contact marked as terminal "4". Next, wire the terminal marked as "3" to the positive (+) terminal of the VDC power supply.

Note: Some Door Operators provide excessive voltage levels above their posted values. Always measure voltages provided on both the VDC & VAC scales first before applying power to any part of the Emergency Control Kit.

3. INSTALLATION

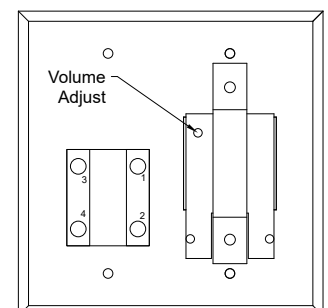
CM-AF540SO

Supplied with a stainless steel faceplate that can be easily mounted to a double gang electrical box.



Volume Adjust

Turn the volume adjust clockwise to increase the volume and counter clockwise to decrease the volume. Turn the volume adjust all the way counter clockwise to turn the sounder completely off.

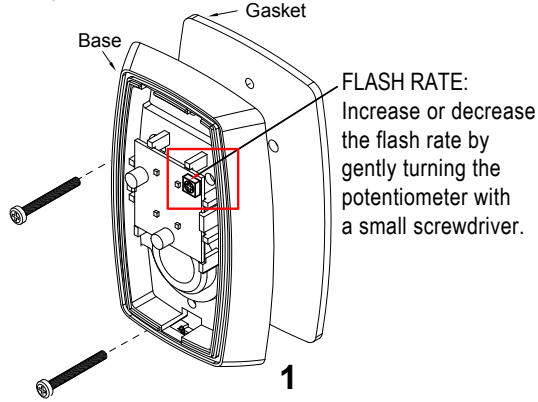


CX-WEC10CK2 Emergency Door Control Kit
INSTALLATION INSTRUCTIONS

CM-AF142SO Mounts to a standard single gang electrical box.

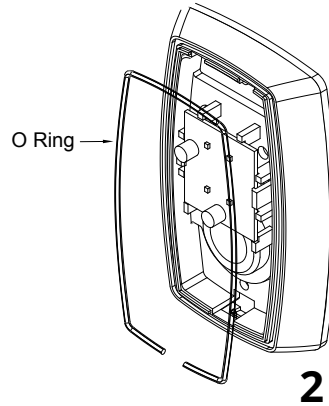
Step 1

Place the gasket (supplied) between the base unit and the electrical box. Use the 6-32 screws to fasten the base to the electrical box.



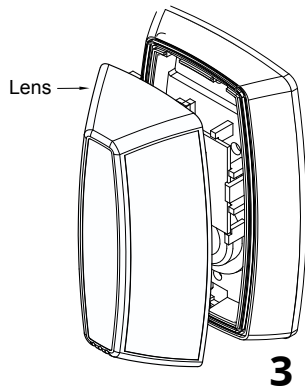
Step 2

Insert the O ring gasket into the small channel in front of the base. The O ring does not completely close around the base. You must leave a small opening at the bottom of the base.



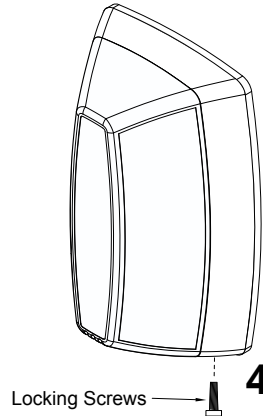
Step 3

Install the lens by inserting the large bottom tab first. The top tabs will snap in place with little effort.



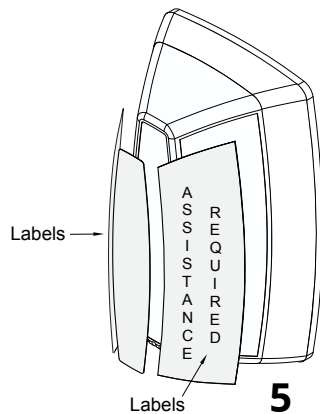
Step 4

Install the Phillips locking screw into the bottom of the base.



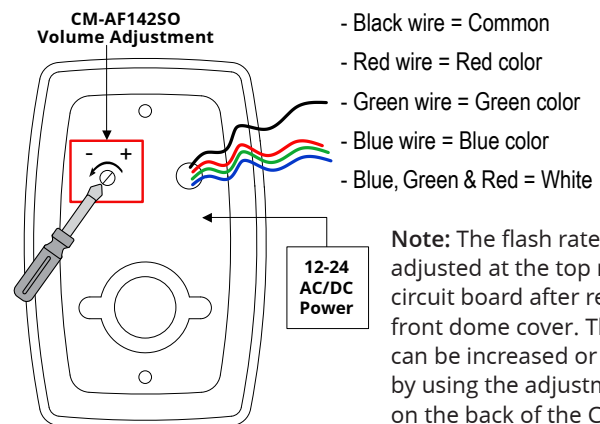
Step 5

Apply the labels as required to the lens.

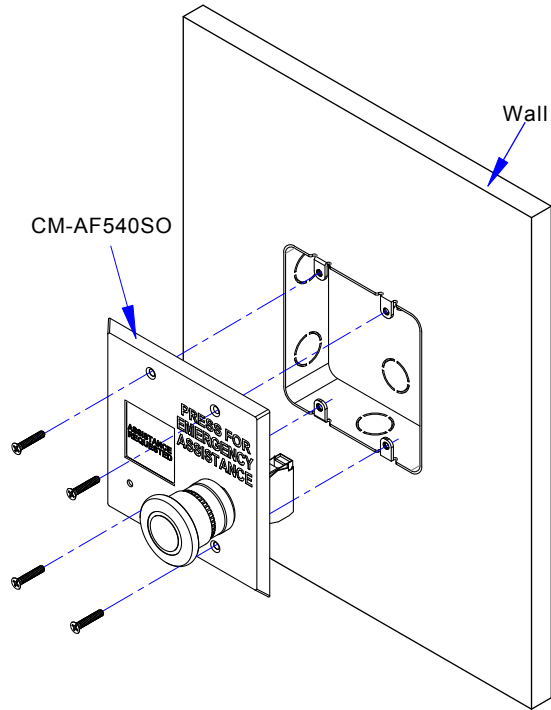


Sound Volume Adjust

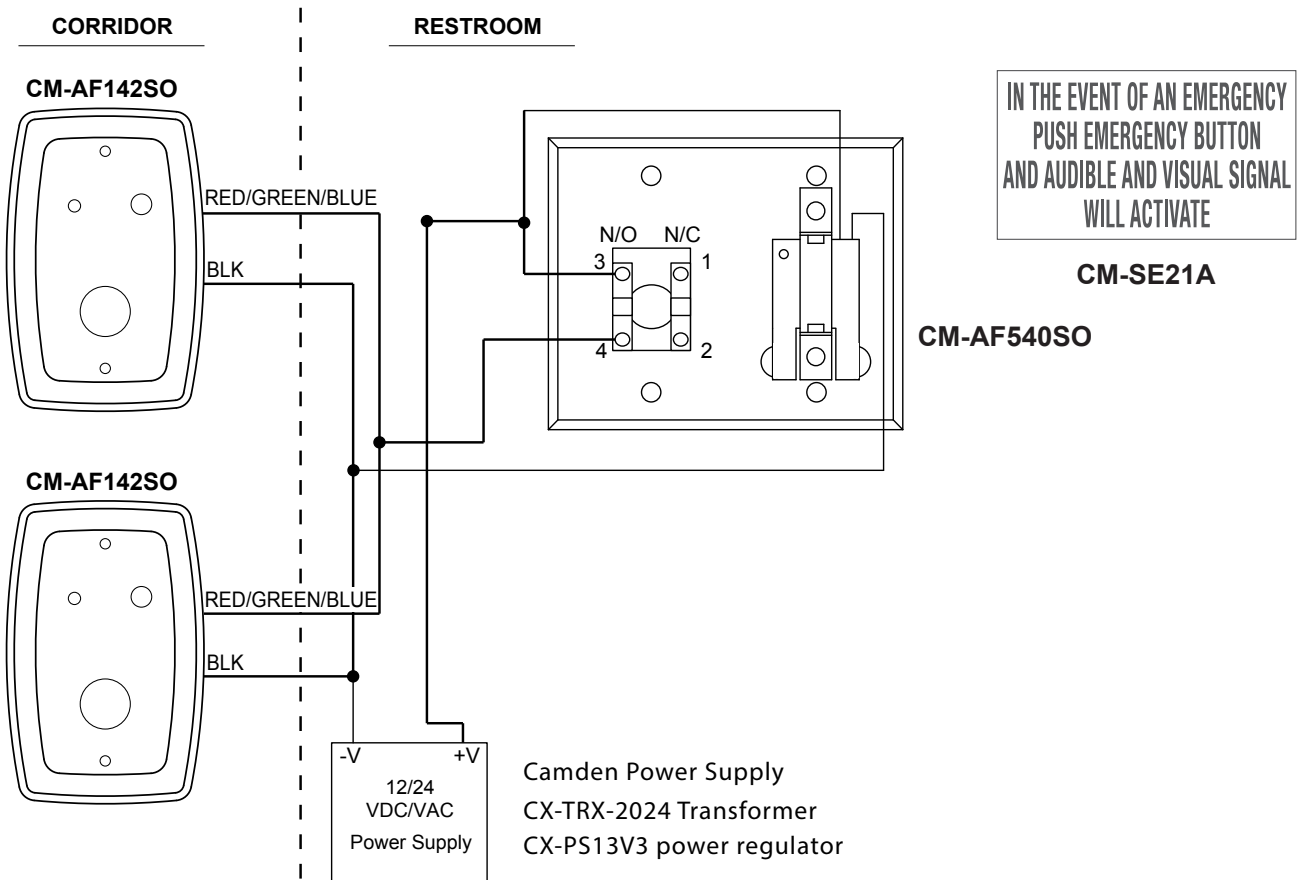
Using a small Phillips screwdriver, gently turn the volume adjustment counter clock wise to reduce the volume and clockwise to increase the volume.



4. DOUBLE GANG CM-AF540SO MOUNTING



5. WIRING DIAGRAM



ORDERING INFORMATION FOR REPLACEMENT PARTS

Item	Part Number	Description
1	CM-SE21A	English Solid white WEC Sign 6" x 10-5/8"
CM-AF142SO		
2	60-31A081	Red Green Blue LED PCB Board 18-30 VAC/VDC
3	60-42K003	Single Gang Dress Plate
4	60-42C027-A	Plastic-Dome Lens with English Label "Assistance Required"
5	60-42C027F-A	Plastic-Dome Lens with French Label
6	60-42C027FE-A	Plastic-Dome Lens With French & English Labels
7	60-81A010-BK	6"x 2" Clear Lexan .010 Print Black English Label
8	60-81A012	6"x 2" Clear Lexan .010 Print Red English Label
9	60-81A005	6"x 2" Clear Lexan .010 Print Red French Label
10	60-81A004	6"x 2" Clear Lexan .010 Print Red Bilingual Label
CM-AF142SO Parts Kit		
11	60-34B089	6-32 x 3/4 Flat Head Phillips Zinc Plated Screw (2 pcs) #6 x 3/4" Steel Pan Head Phillips Zinc Screw (2 pcs) 5/16" Phillips Rounded Head Screws (1 piece) Yellow/Grey Plastic Anchors 3/16" (2 pcs) Expanded Green PVC Anchors 10-24 Screw (2 pcs) Grey Plastic Wire Nut c/w Spring (4 pcs) Cut Cord (EPDM Durometer Cord CM-AF141SO) (1 piece)
CM-AF540SO		
12	60-66C000	Normally Open Contact Block
13	60-66C001	Normally Close Contact Block
14	60-66C002	Normally Open & Normally Close Contact Block
CM-AF540SO Parts Kit		
15	60-34B083	6-32 x 3/4 Phillips Oval Head Stainless Steel Screw (4 pcs) Snake Eye Tamper Proof Screw 6-32 x 3/4" (4 pcs) Key for Tamper Proof Screws (Snake Eye) (1 pc) Grey Plastic Wire Nut C/W Spring (2 pcs)