

CX-ED1579L 'All In One' Fire Rated Electric Strike



EXCLUSIVE
PRODUCTS



BEST QUALITY

Camden CX-ED1579L Grade 1 fire rated 'all in one' electric strikes include built-in latchbolt monitoring at no additional cost. This saves installers hundreds of dollars by eliminating the need to stock or order different strike models. In addition, Camden CX-ED1579L strikes offer true 'Universal' performance with five stainless steel faceplates, field selectable voltage, and fail safe/ fail secure operation.

Camden CX-ED1579L strikes are UL security and 3-hour fire rated, non-handed, and compatible with most mortise and cylindrical locksets. In addition, they feature adjustable latch monitor placement and easy-fit wiring connectors for power and monitoring.

Features

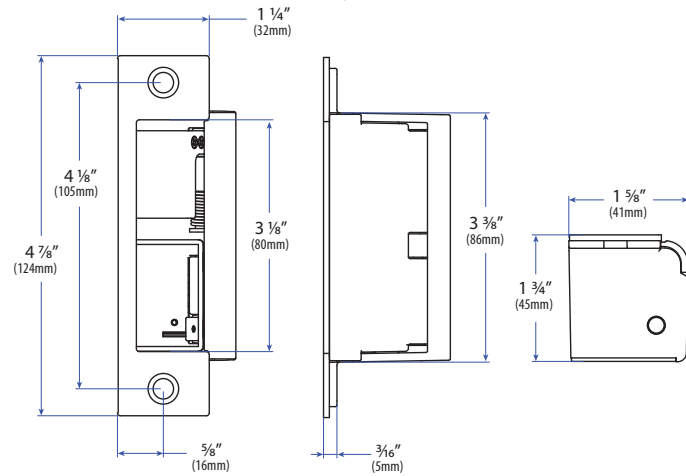
- For mortise and cylindrical locksets
- 3/4" (19mm) latch projection (throw)
- 5 stainless steel faceplates included
- Selectable fail safe/fail secure operation
- Selectable 12/24V AC/DC
- Built-in latch monitoring
- Non-handed, LH/LR
- Easy fit connectors for power and monitoring wires
- Stainless steel strike body
- 5 year warranty



SPECIFICATIONS

Voltage:	12/24V AC/DC
Current Draw:	260mA @12V AC/DC 150mA @24V AC/DC
Static Strength:	1,500 lbs.
Dynamic Strength:	70 ft-lbs.
Mode:	Field Selectable Fail Safe or Fail Secure
Operation:	AC Buzz, DC Silent
Duty:	Continuous (DC)
Mounting:	Non-handed
Endurance:	1,500,000 Cycles (Factory Tested) 250,000 Cycles (UL Verified)
Fire Rating:	UL10C/CAN4-S104 3hrs. (Fail Secure Mode Only)
Latch Bolt Monitor:	SPDT, 100mA @ 24V DC
Dimensions:	4-7/8"L x 1-1/4"W x 1-3/4"D (124mm x 32mm x 45mm)

DIMENSIONS



ORDERING INFORMATION

MODEL

CX-ED1579L	Grade 1 'all in one' fire rated strike, 12/24V AC/DC, For mortise and cylindrical locksets
------------	--

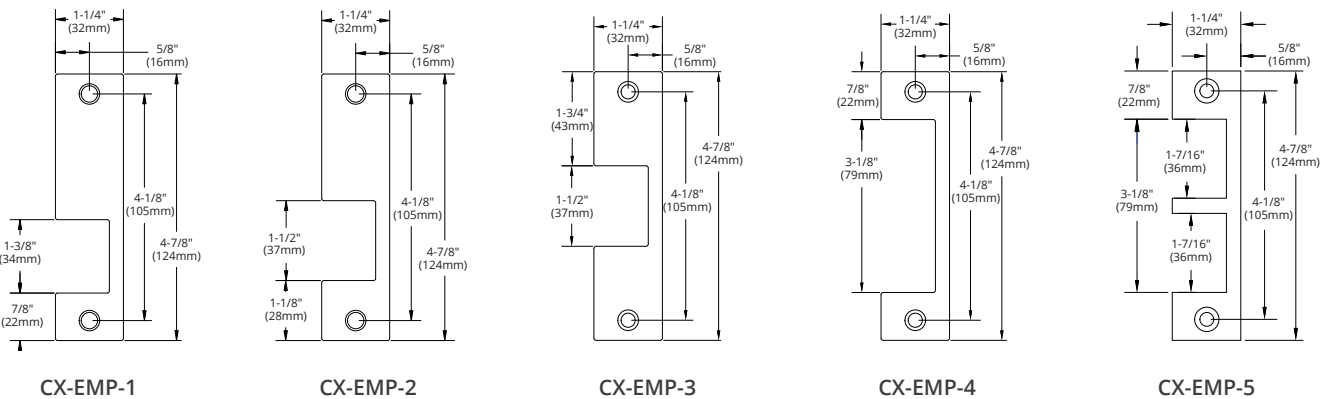
FACEPLATES (included in package)

CX-EMP-1	Stainless faceplate for Sargent, Schlage & Yale mortise locksets
CX-EMP-2	Stainless faceplate for Arrow, Corbin & Best mortise locksets
CX-EMP-3	Stainless faceplate for centerline mortise or cylindrical locksets
CX-EMP-4	Stainless faceplate for mortise locksets with deadbolt
CX-EMP-5	Stainless faceplate for all mortise locks that include both latch & deadbolt

CUTTING JIGS (for 1/4" Collet and a 1/8" Router bit)

CX-JIG6	For CX-ED1579L strike, ANSI faceplate CX-EMP-3
---------	--

FACEPLATE DIMENSIONS



Opening New Doors to Innovation, Quality, and Support!

2395 Skymark Ave, Mississauga, ON Canada L4W 4Y6 • Toll Free: 1(877) 226-3369 (CAMDEN9)
Tel: (905) 366-3377 | Fax: (905) 366-3378 | E-mail: info@camdencontrols.com | www.camdencontrols.com



Part #: MKTG-LIT-SP-CX-ED1579L_R2