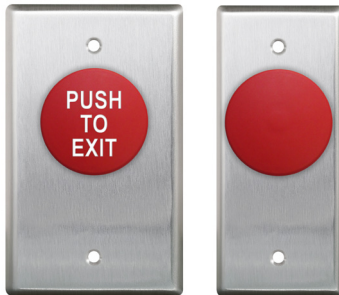




CM-400 SERIES MUSHROOM PUSH SWITCHES

FEATURES

- LARGE, EASY TO OPERATE RED, BLUE OR GREEN BUTTONS
- 1 5/8" (40 MM) DIAMETER
- FREE-SPINNING, HEAVY-DUTY BUTTON CANNOT BE UNSCREWED
- STAINLESS STEEL, ONE GANG OR TWO GANG FACEPLATE
- UL294 MODELS
- WITH OR WITHOUT LOGOS SCREENED ON FACEPLATE
- UL/CSA APPROVED SWITCH, RATED 6 AMPS @ 30V DC
- COLOR CODED 18 AWG SPADE CONNECTIONS
- FAST AND EASY TO INSTALL



CM-420PTE

CM-400NR



CM-400WR



CM-450RL-7724-CPC

DESCRIPTION

Camden Door Controls CM-400 Series mushroom push switches are medium-duty push-button controls. Buttons are available in red, blue, or green (other colors on request), with a 1 5/8" (40 mm) diameter. The buttons are free-spinning, for protection against vandalism. They are supplied with an industrial grade stainless steel faceplate, in one gang or two gang widths.

The switches are UL/CSA approved, rated 6 AMPS @ 30V DC. Select models are UL294.

APPLICATION

Camden push switches are designed to control overhead doors, electric locks, electromagnetic locks, electric strikes and automatic doors. They may also be used for shunting, bypassing alarms, request to exit, timed functions, and many other applications.

The switches are made for high frequency usage, in an indoor or outdoor environment. Easily visible, they are available with one gang or two gang stainless steel mounting plates.

Camden push switches are versatile, and are supplied in numerous configurations to suit varied commercial and industrial applications.

ARCHITECTS/ENGINEERS SPECIFICATIONS

The push switches to be used throughout the site/complex shall be Camden Door Controls CM-400 series push switches.

The button shall be easy to activate, 1 5/8" (40 mm) in diameter. The faceplate shall be constructed of industrial grade stainless steel, and shall be supplied with stainless steel security screws. The push button shall be free-spinning for additional protection against vandalism.

Rating for all electrical contacts, shall be a minimum of 6 amps @ 30 VDC.

The switch used shall be a UL/CSA approved type, supplied with color coded spade leads. The switch assembly shall be modular, allowing for up to six distinct functions upon activation of the push-button. The mounting shall employ a bayonet assembly, so that no set screws are required to secure the free spinning button.

MUSHROOM PUSH SWITCHES

ORDERING INFORMATION

All CM-400 series Exit switches come with a 1 5/8" mushroom button (red, blue, or green), stainless steel faceplate, modular contact block, 2 socket/slotted screws, and 2 tamperproof screws.

MODEL	DESCRIPTION
SINGLE GANG FACEPLATE	
CM-400	N/O, PLAIN FACEPLATE
CM-410	N/C, PLAIN FACEPLATE
CM-420	N/O & N/C PLAIN FACEPLATE
CM-420PTE*	N/O & N/C PLAIN FACEPLATE, WITH 'PUSH TO EXIT' ENGRAVED ON BUTTON
CM-450R	SINGLE GANG, PUSH/PULL, N/O & N/C STAINLESS STEEL FACEPLATE, MAINTAINED, RED ONLY
CM-450RL-7724-CPC	1-5/8" RED MUSHROOM 'LOCKDOWN' PUSH BUTTON, MAINTAINED, PUSH/PULL, WITH N/O & N/C CONTACTS, HEAVY DUTY SINGLE GANG STAINLESS STEEL FACEPLATE, RED FLASHING 1/2" 24V LED AND VANDAL RESISTANT CLEAR PLASTIC LIFT COVER.
NARROW GANG FACEPLATE	
CM-400N	N/O, PLAIN FACEPLATE
CM-410N	N/C, PLAIN FACEPLATE
CM-420N	N/O & N/C, PLAIN FACEPLATE
DOUBLE GANG FACEPLATE	
CM-400W	N/O, PLAIN FACEPLATE
CM-410W	N/C, PLAIN FACEPLATE
CM-420W	N/O & N/C, PLAIN FACEPLATE

OPTIONS: (ADD SUFFIX AND COST TO MODEL ABOVE)

FOR FACEPLATE GRAPHICS, ADD:

(ALL FACEPLATE GRAPHICS ARE IN BLACK)

- /3 'PUSH TO OPEN'
- /3F 'POUSSEZ POUR OUVRIR'
- /3S 'EMPUJE PARA ABRIR'
- /7 'PUSH TO EXIT'
- /7F 'POUSSEZ POUR SORTIR'
- /8 'PUSH TO LOCK'
- /8F 'POUSSEZ POUR VERROUILLER'
- /8FE 'POUSSEZ POUR VERROUILLER/'
'PUSH TO LOCK'
- /12 'PRESS FOR EMERGENCY ASSISTANCE'
- /12F 'APUYER POUR AIDE D'URGENCE'
- /12FE 'APUYER POUR AIDE D'URGENCE/'
'PRESS FOR EMERGENCY ASSISTANCE'

FOR BUTTON GRAPHICS, ADD:

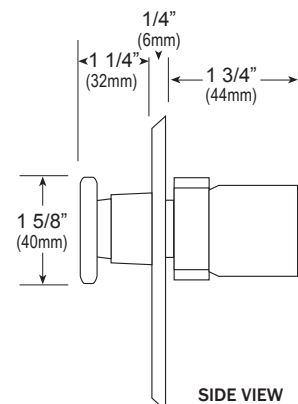
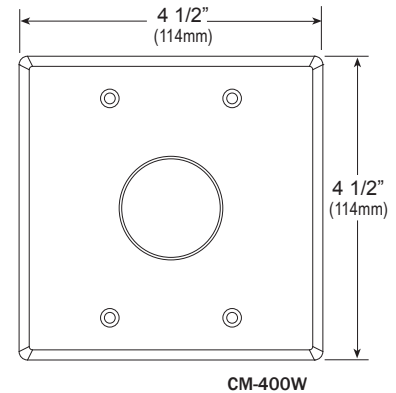
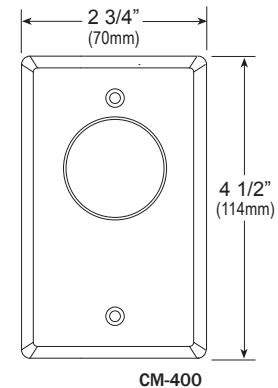
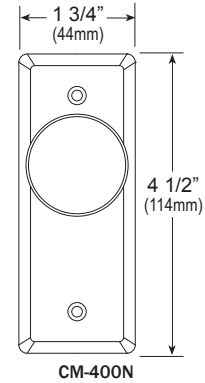
(ALL TEXT ENGRAVED IN WHITE)

- 'E' FOR 'EXIT'
- 'S' FOR 'SORTIE'
- 'ES' FOR 'EXIT/SORTIE'
- 'SA' FOR 'SALIDA'
- 'ESA' FOR 'EXIT/SALIDA'
- 'H' FOR WHEELCHAIR LOGO

FOR BUTTON COLOR, ADD:

(ADD SUFFIX TO ANY MODEL ABOVE.
IF NOT SELECTED, RED WILL BE SUPPLIED)

- 'R' RED BUTTON
- 'G' GREEN BUTTON
- 'B' BLUE BUTTON



* NOTE:
UL 294 STANDARD

